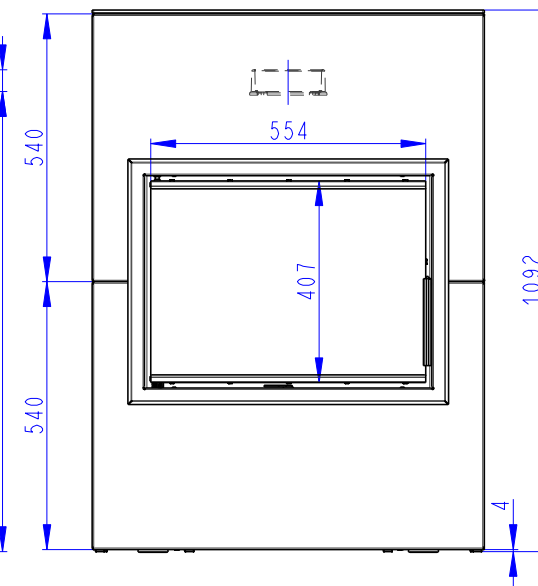
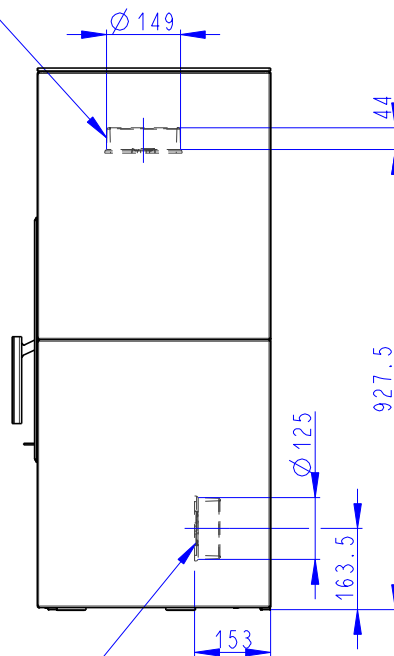
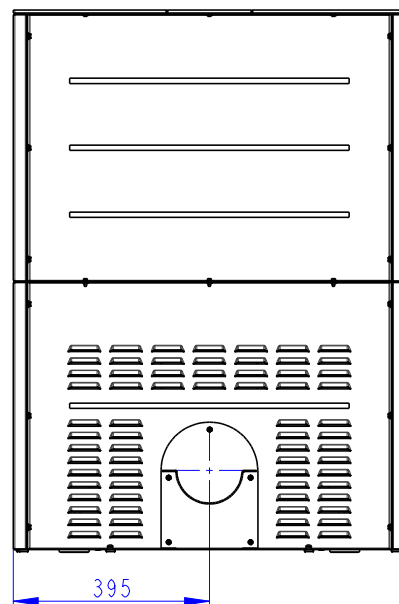
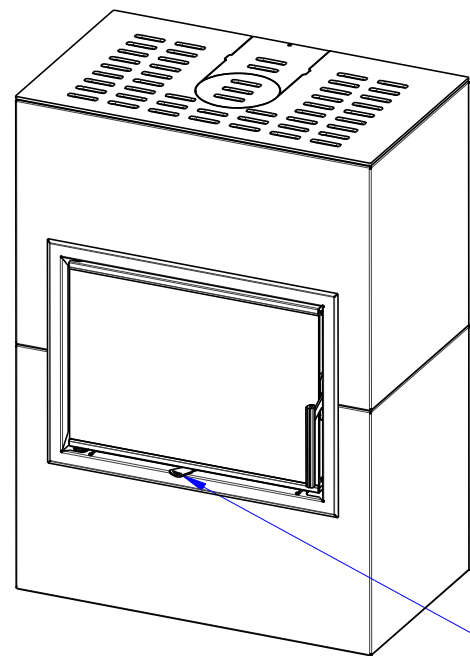


Rozměry v mm
 Maße in mm
 Dimensions in mm

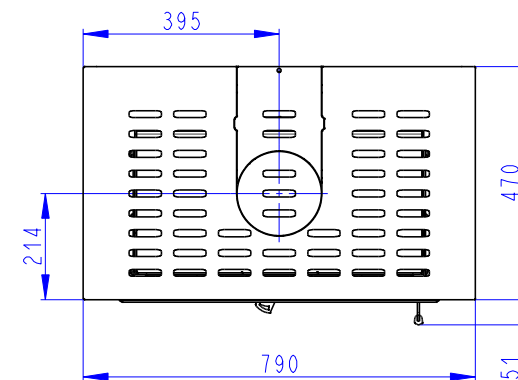
VARIANT FN 03

182kg

Litínový odvod
 kouře - Cast iron
 spigot - Der
 gusseiserne Rauchabgang



Centralni prívod vzduchu
 Central air inlet
 Zentralluftzufuhr

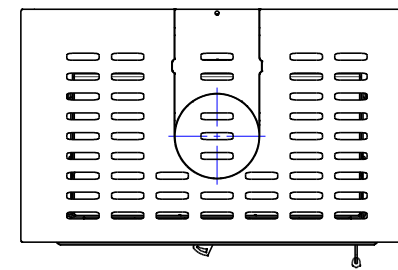
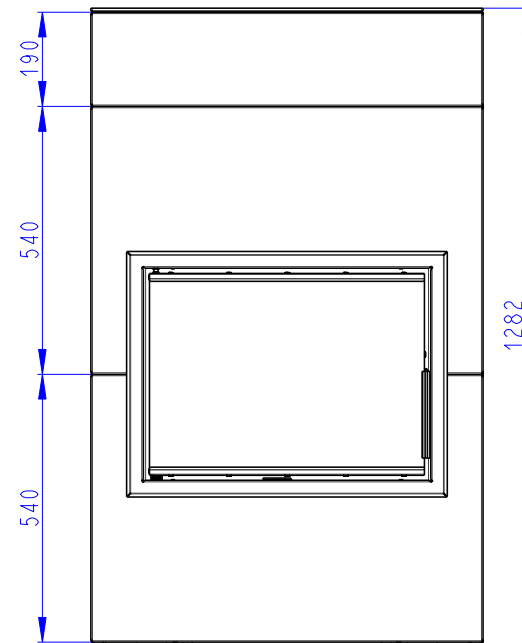
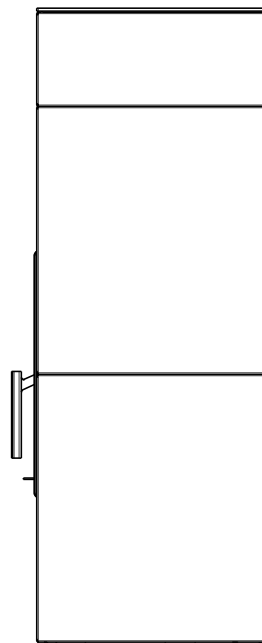
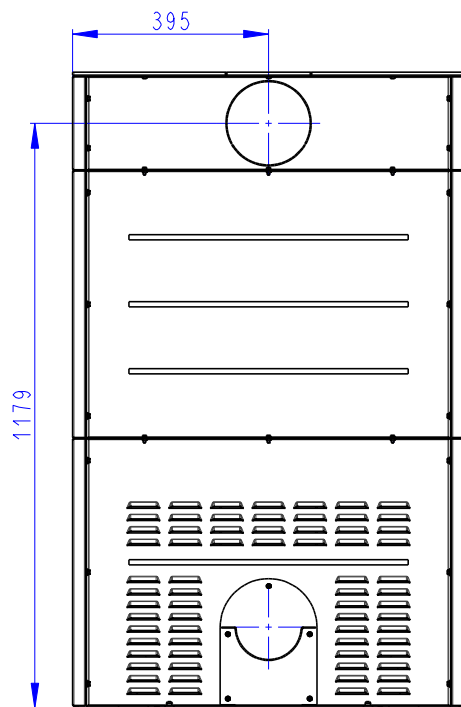
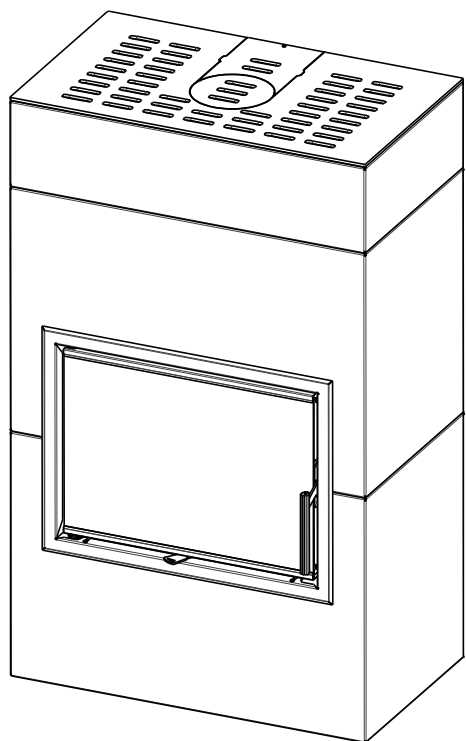


Primární a sekundární vzduch
 Primärluft und Sekundärluft
 Primary and secondary air

Rozměry v mm
Maße in mm
Dimensions in mm

VARIANT FN 03 + VARI FN 03 S1

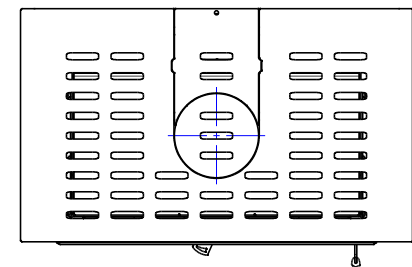
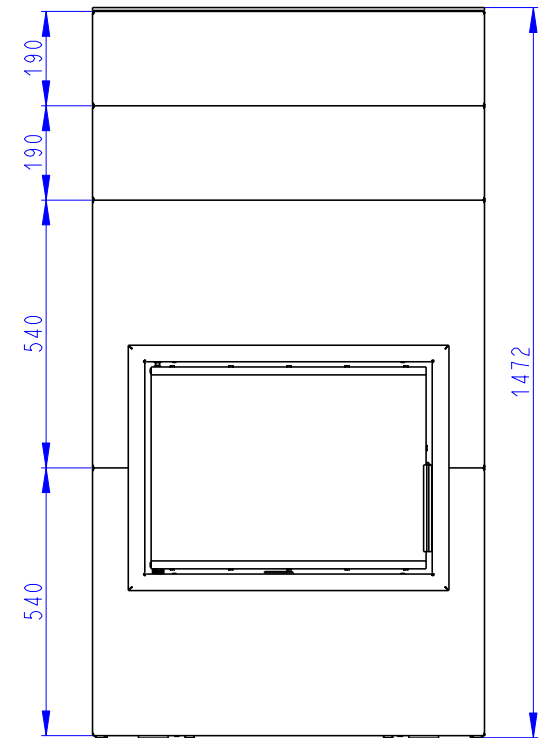
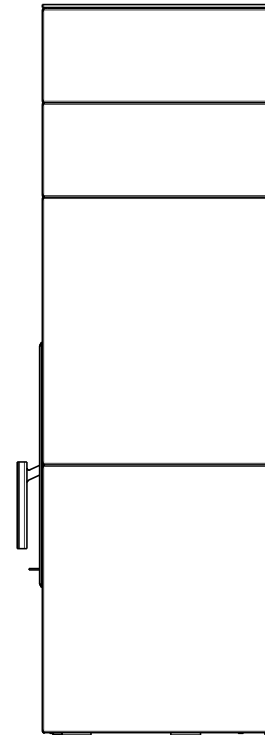
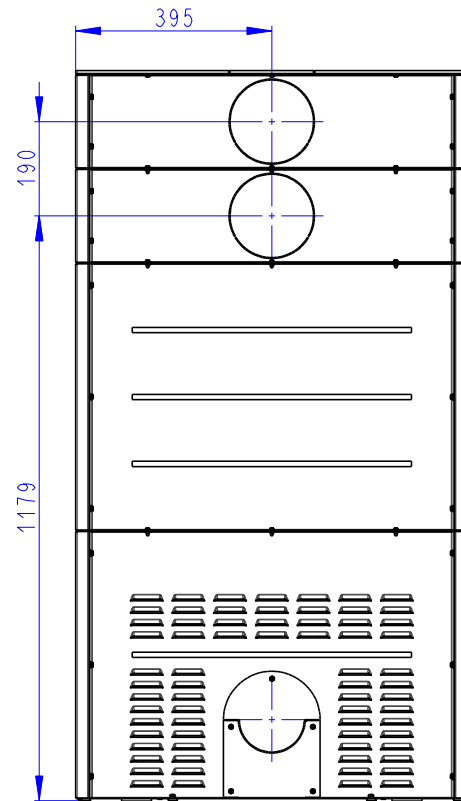
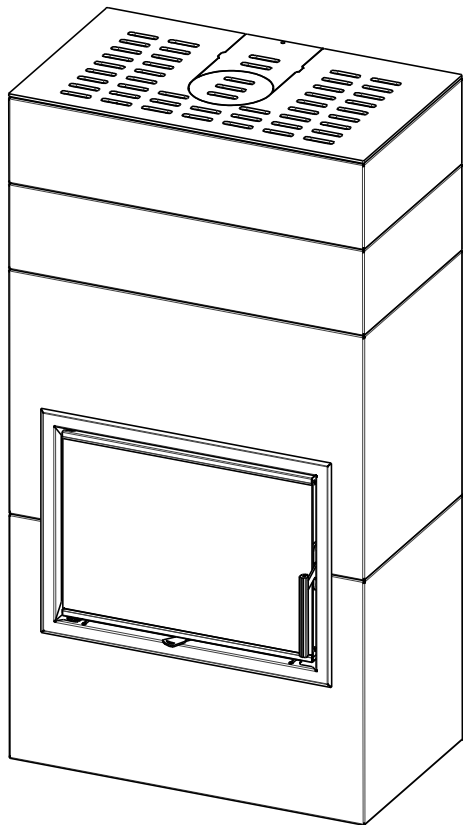
192kg



Rozmery v mm
Maße in mm
Dimensions in mm

VARIANT FN 03 + 2xVARI FN 03 S1

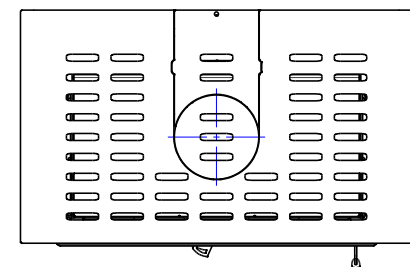
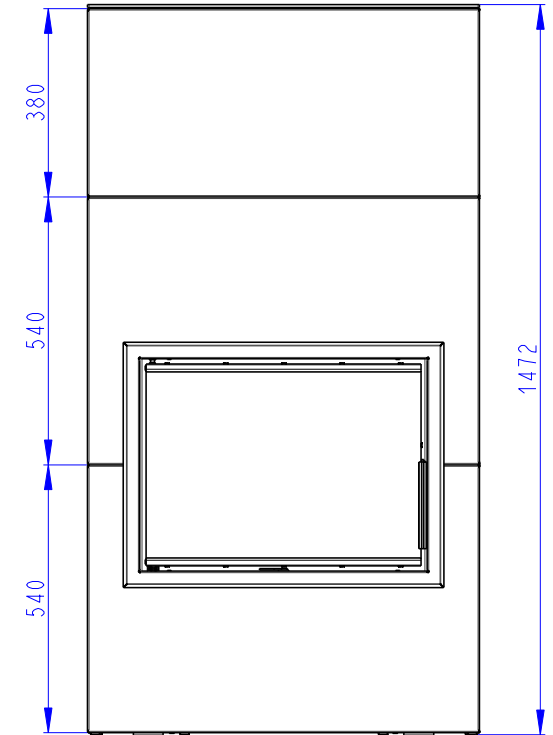
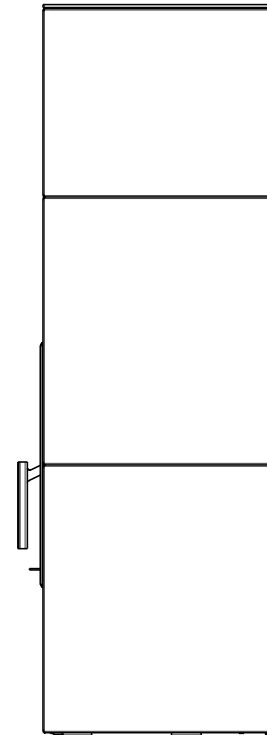
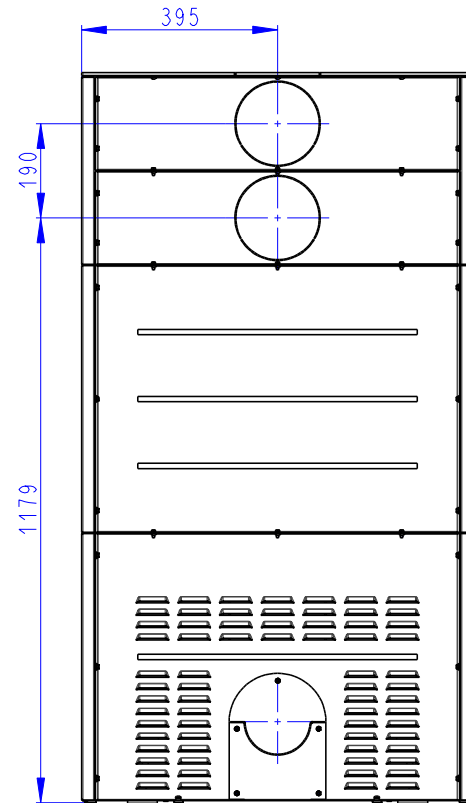
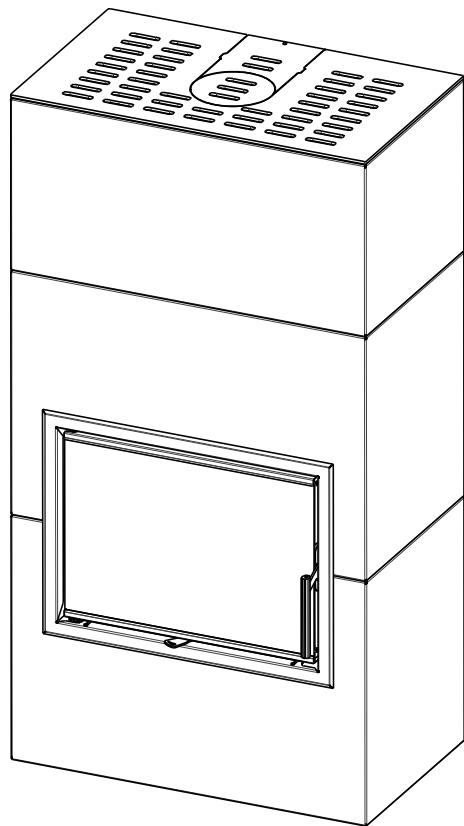
202kg



Rozměry v mm
Maße in mm
Dimensions in mm

VARIANT FN 03 + VARI FN 03 S2

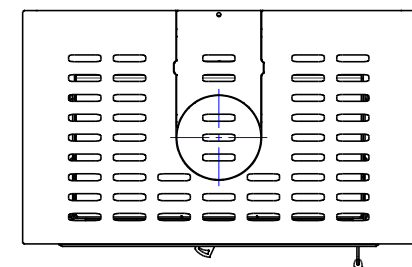
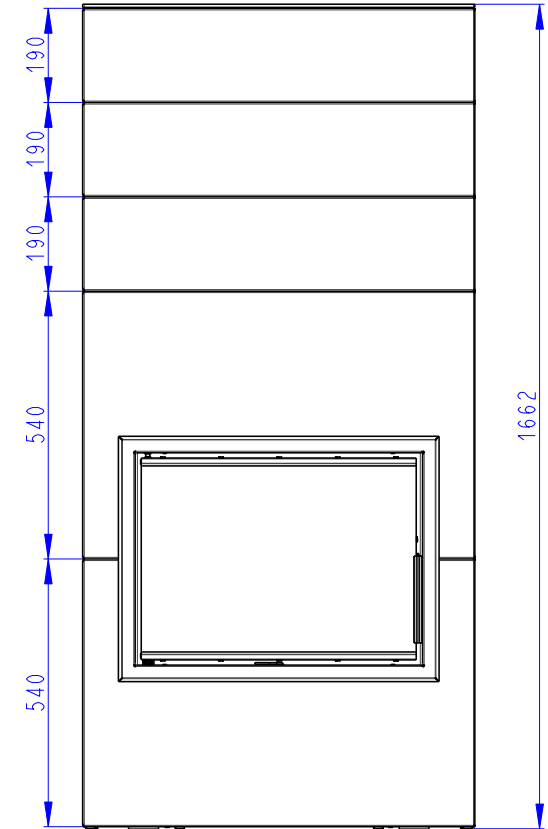
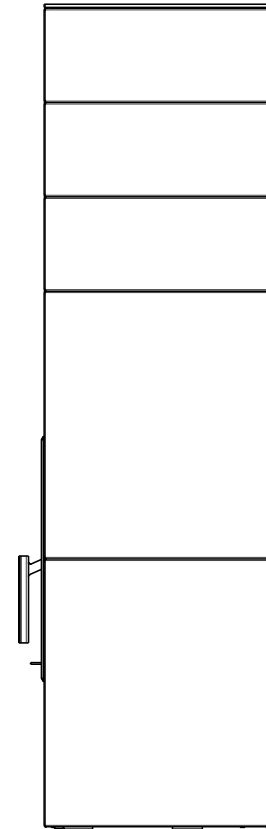
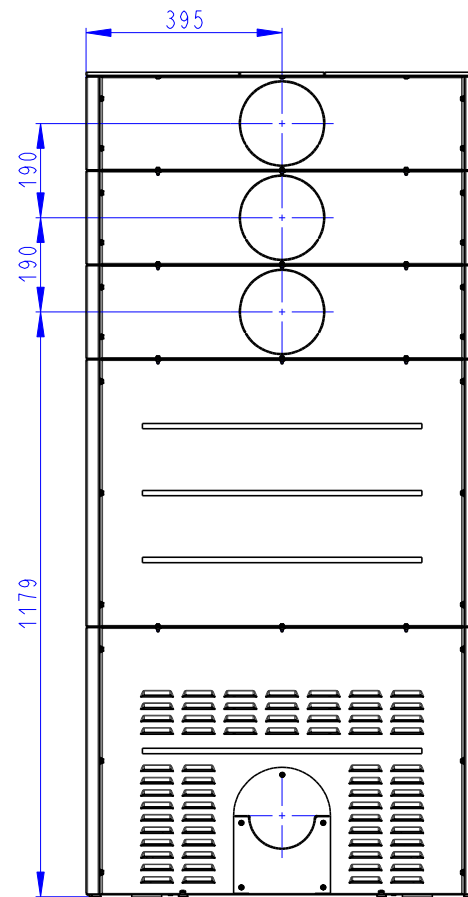
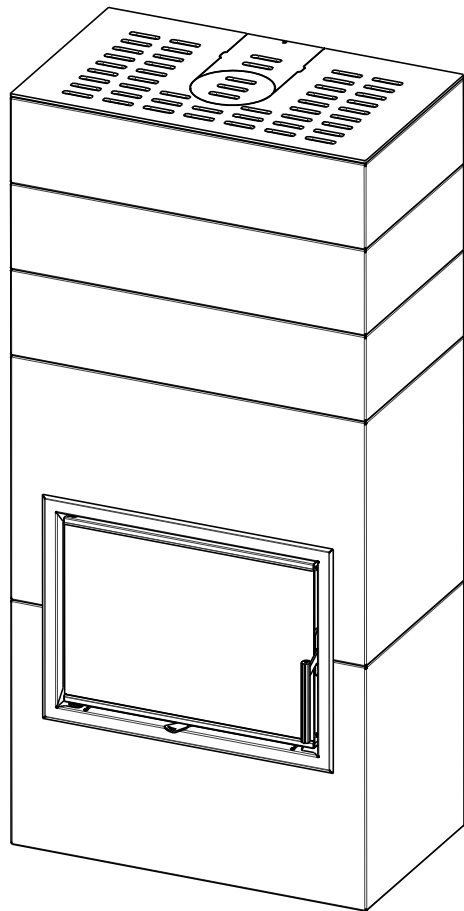
201kg



Rozměry v mm
Maße in mm
Dimensions in mm

VARIANT FN 03 + 3xVARI FN 03 S1

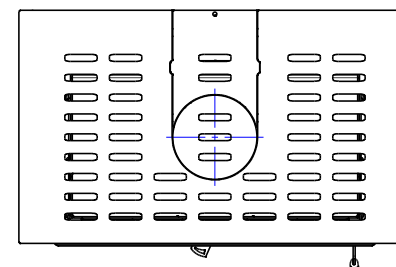
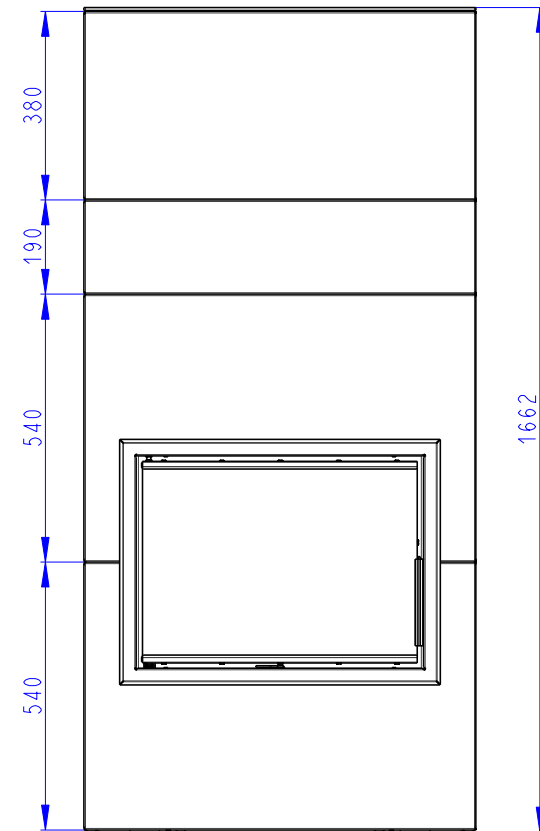
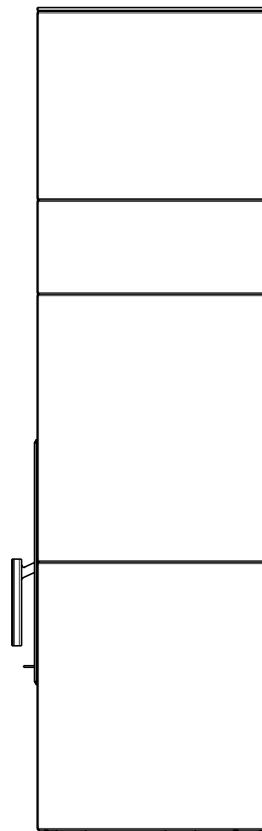
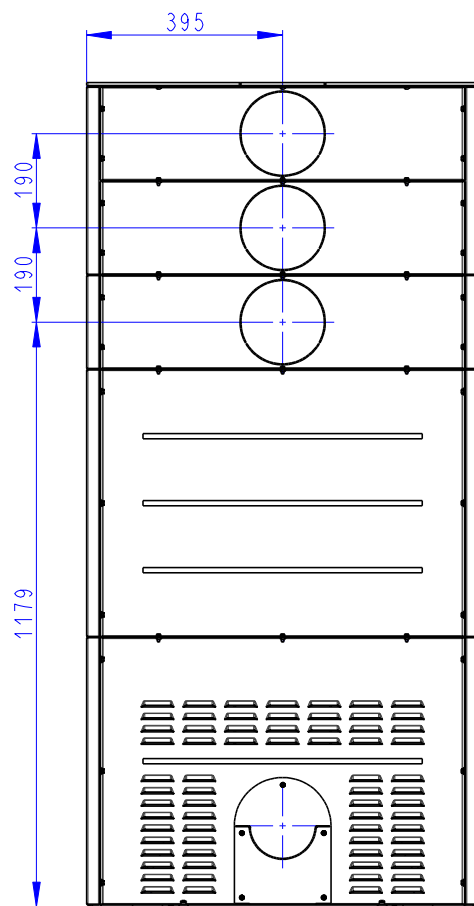
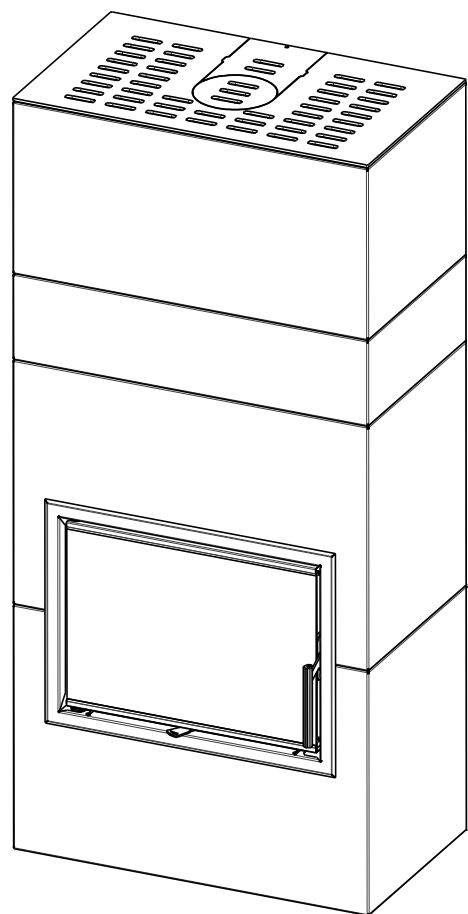
212kg



Rozmery v mm
Maße in mm
Dimensions in mm

VARIANT FN 03 + VARI FN 03 S1 + VARI FN 03 S2

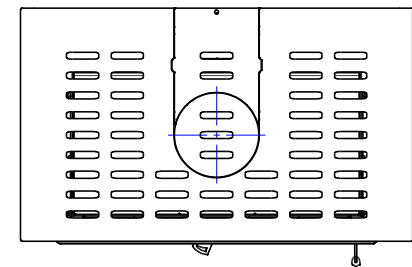
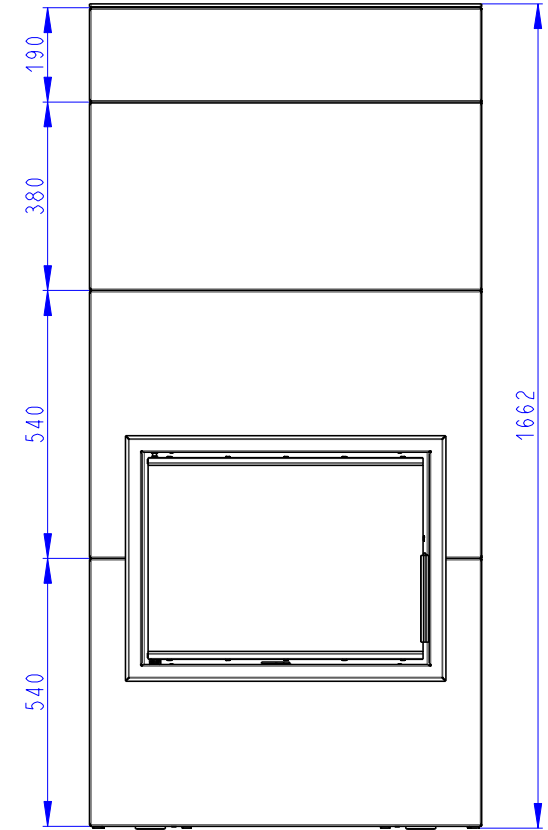
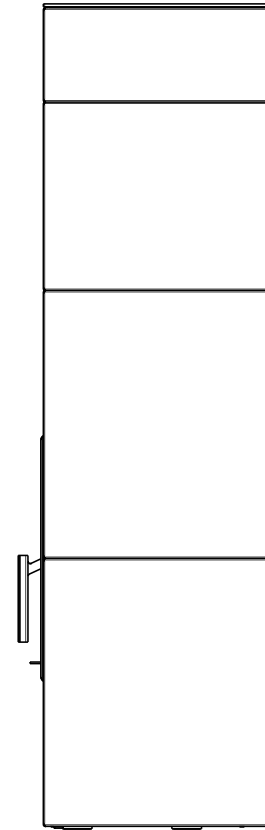
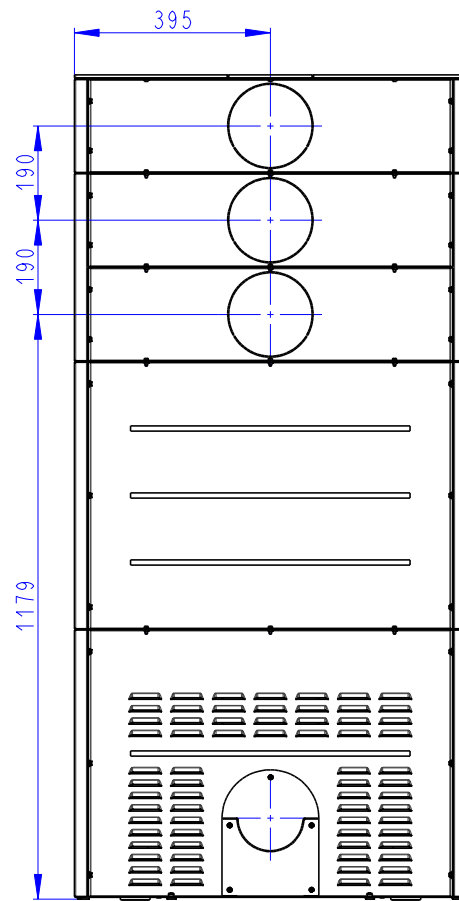
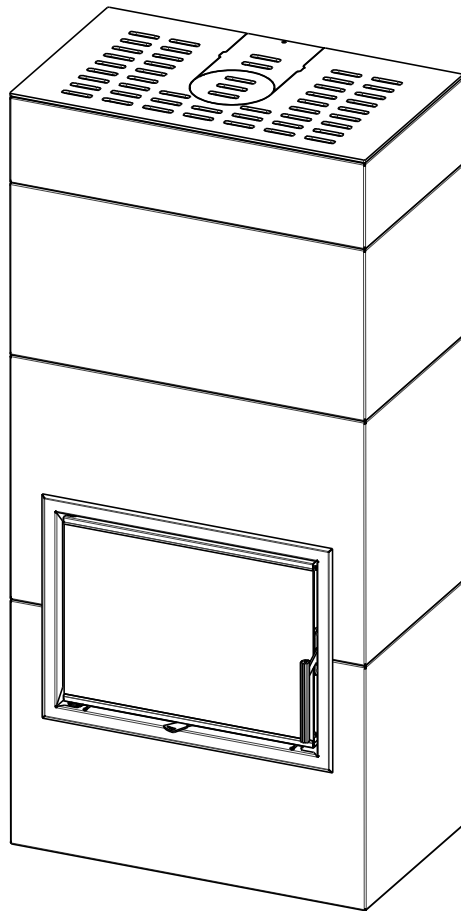
211kg



Rozmery v mm
Maße in mm
Dimensions in mm

VARIANT FN 03 + VARI FN 03 S2 + VARI FN 03 S1

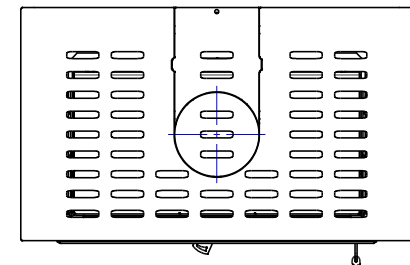
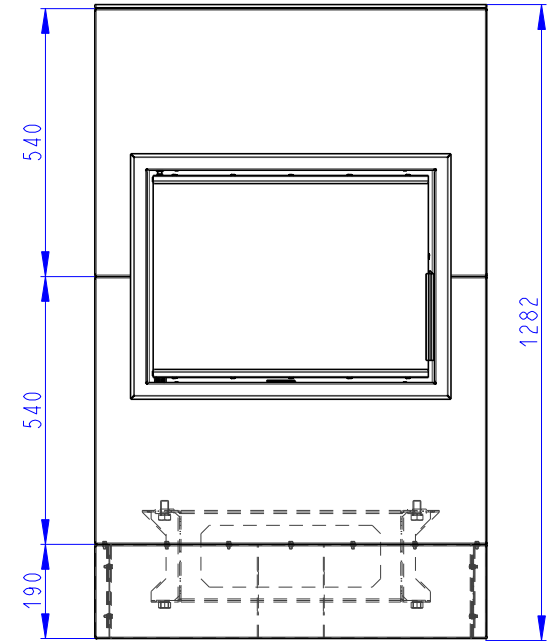
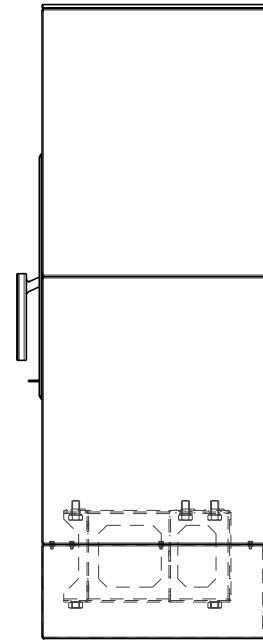
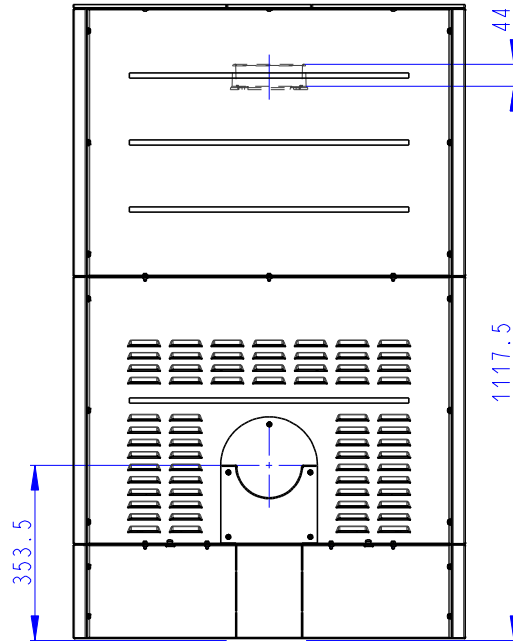
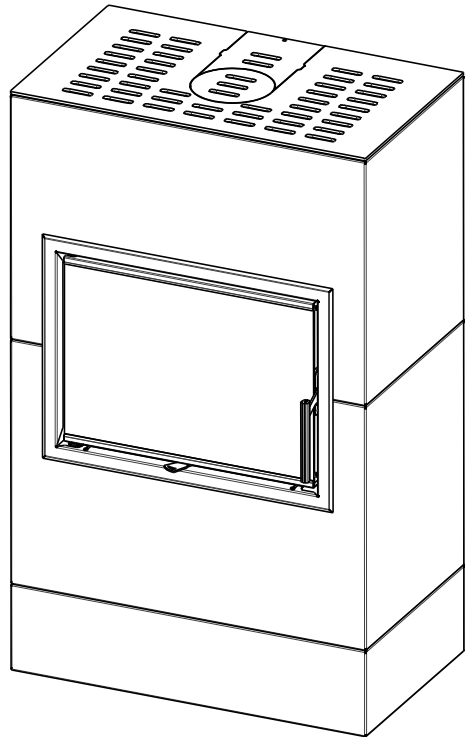
211kg



Rozměry v mm
Maße in mm
Dimensions in mm

VARIANT FN 03 + VARI FN 03 S3

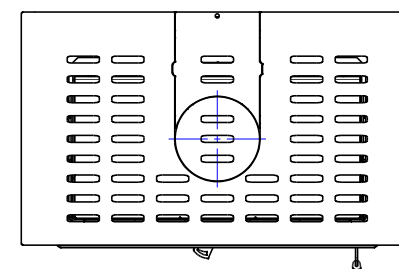
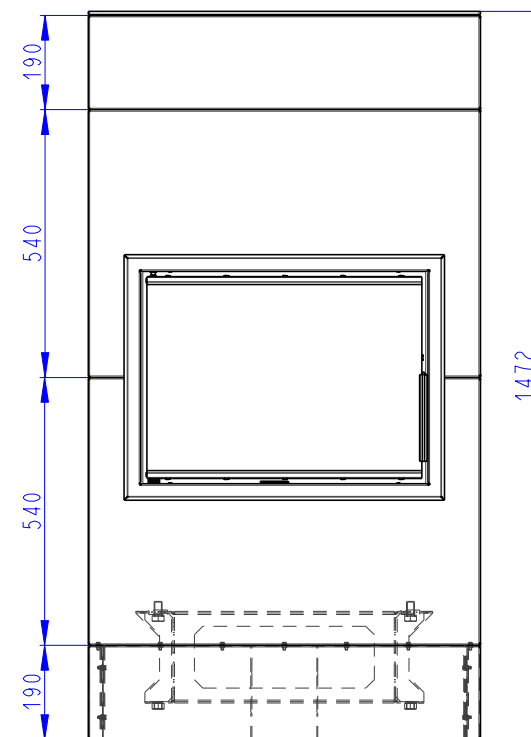
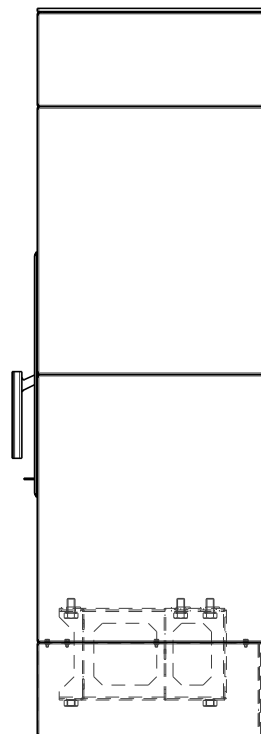
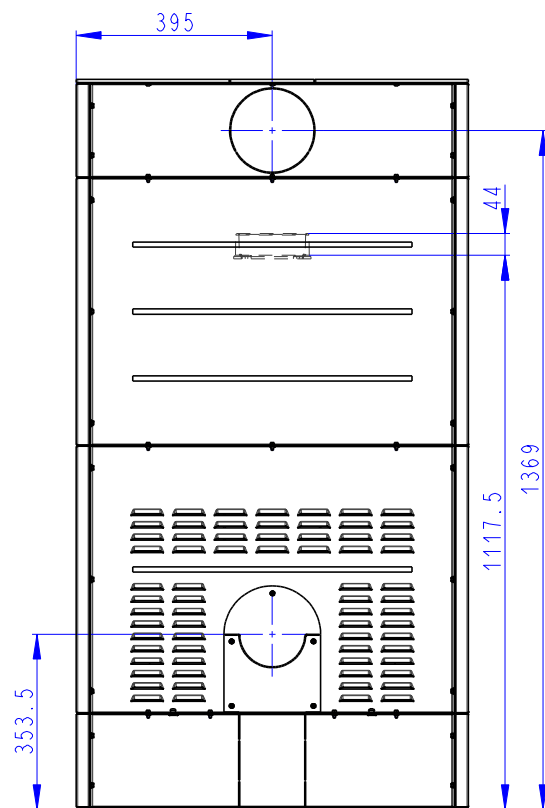
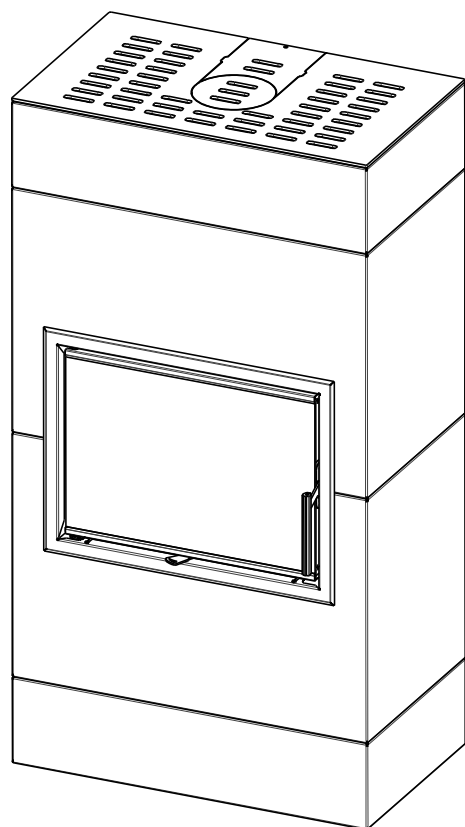
196kg



Rozmery v mm
Maße in mm
Dimensions in mm

VARIANT FN 03 + VARI FN 03 S1 + VARI FN 03 S3

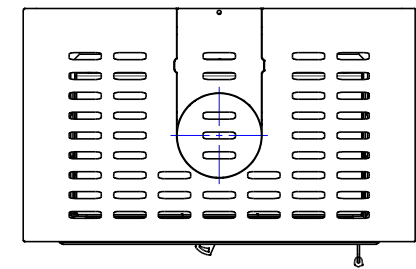
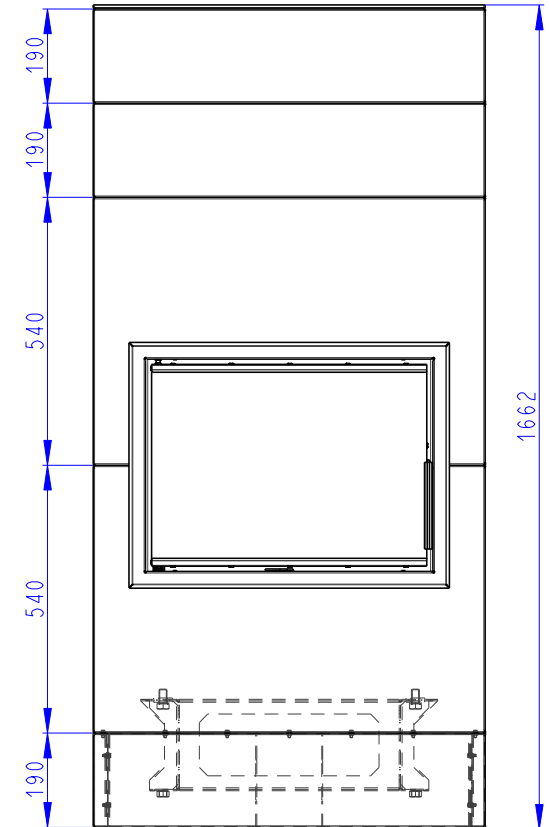
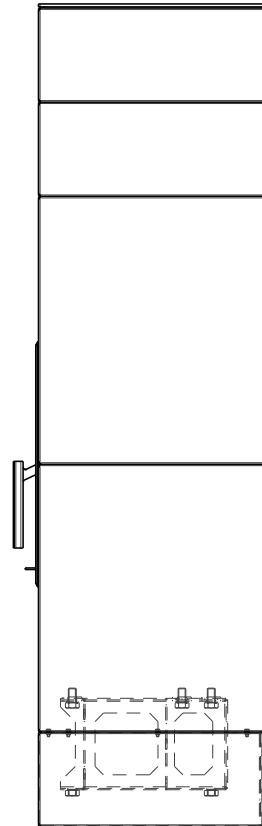
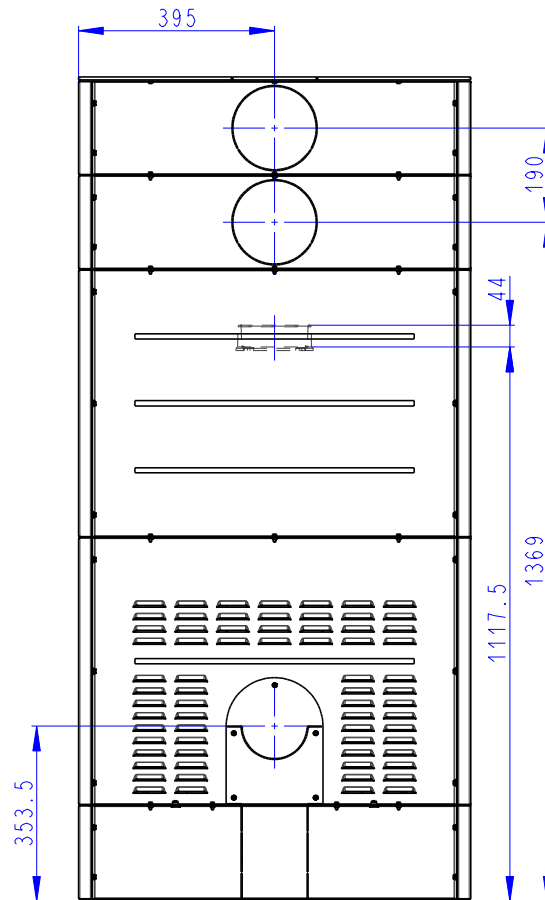
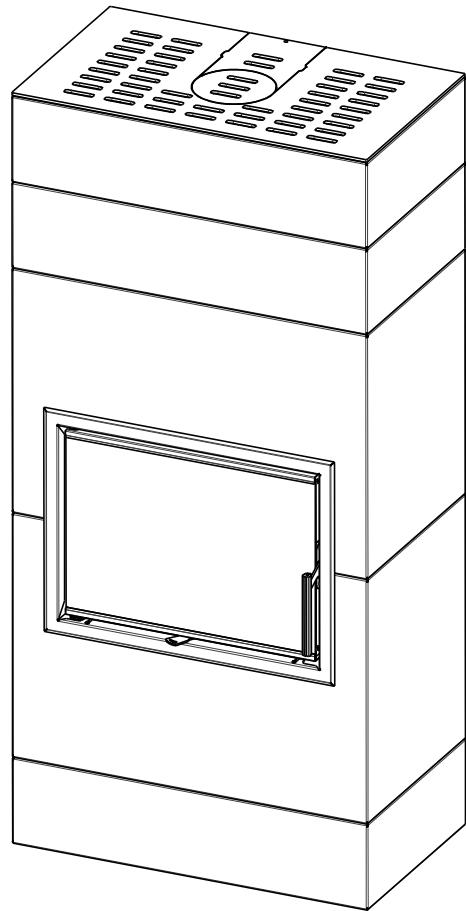
206kg



Rozměry v mm
Maße in mm
Dimensions in mm

VARIANT FN 03 + 2xVARI FN 03 S1 + VARI FN 03 S3

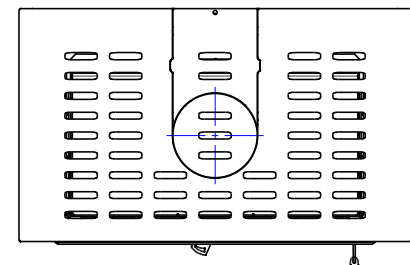
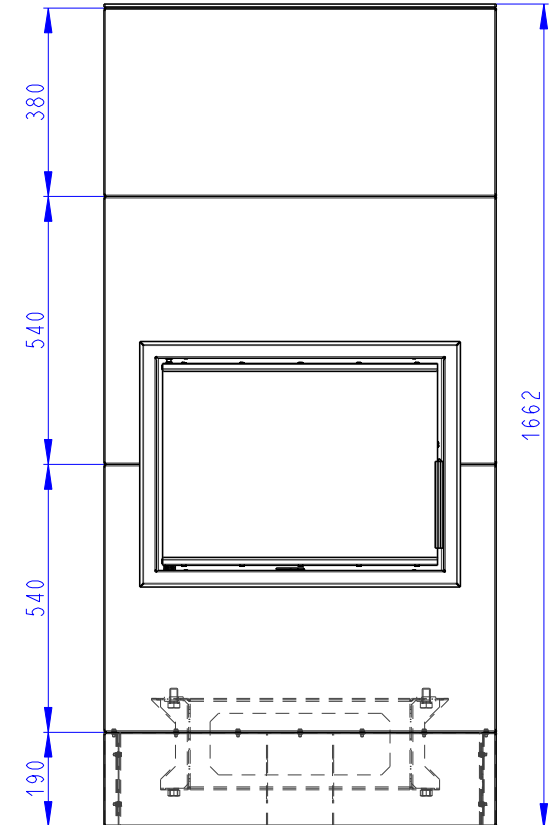
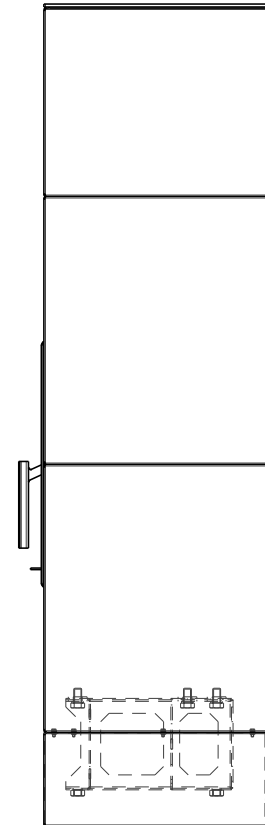
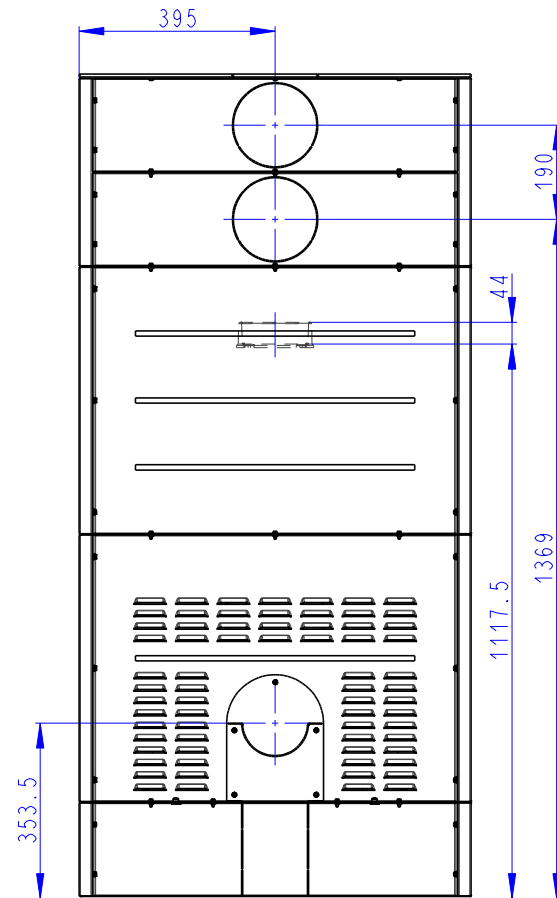
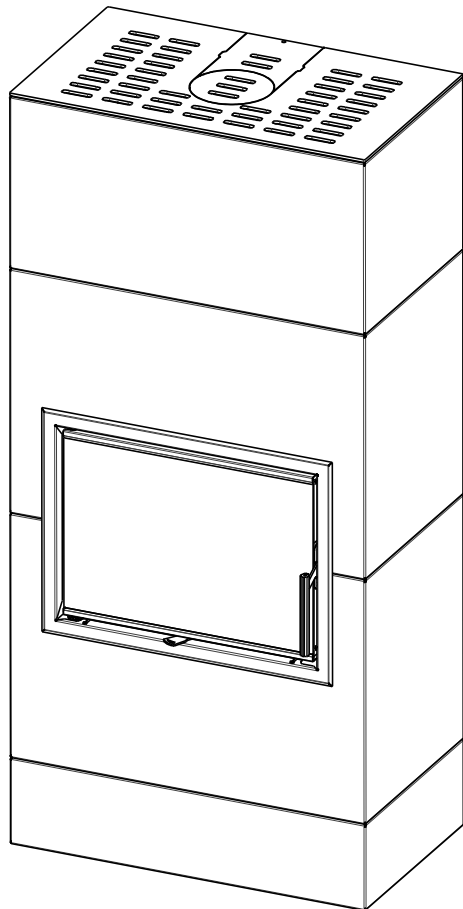
216kg



Rozmery v mm
Maße in mm
Dimensions in mm

VARIANT FN 03 + VARI FN 03 S2 + VARI FN 03 S3

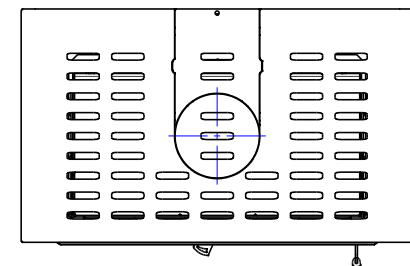
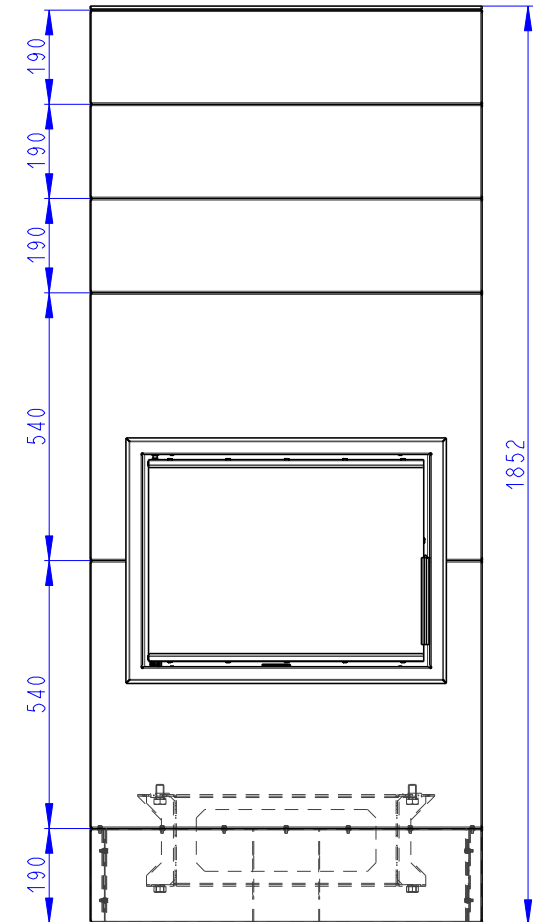
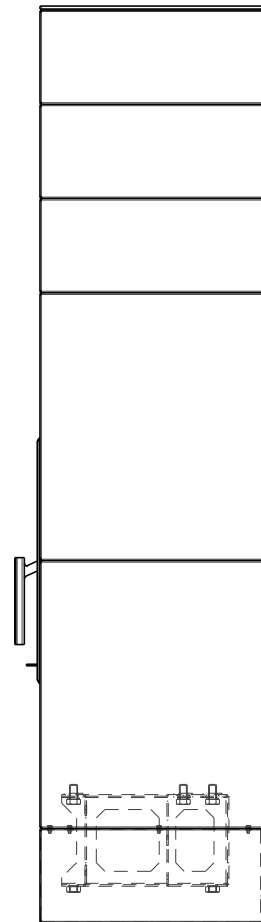
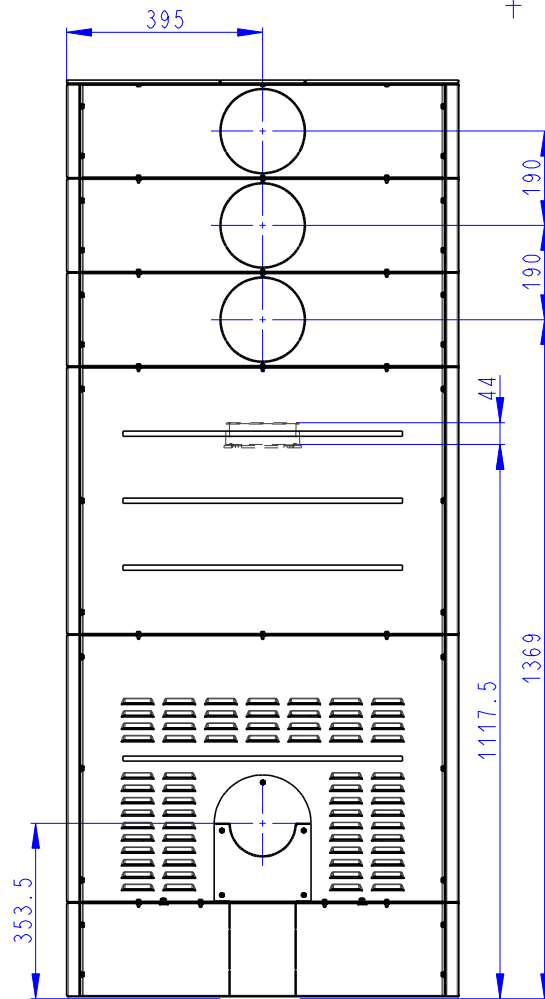
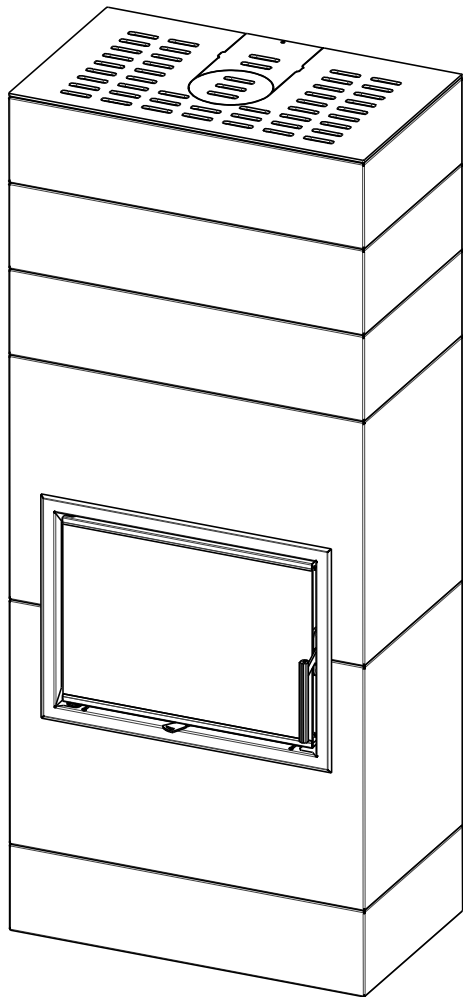
214kg



Rozmery v mm
Maße in mm
Dimensions in mm

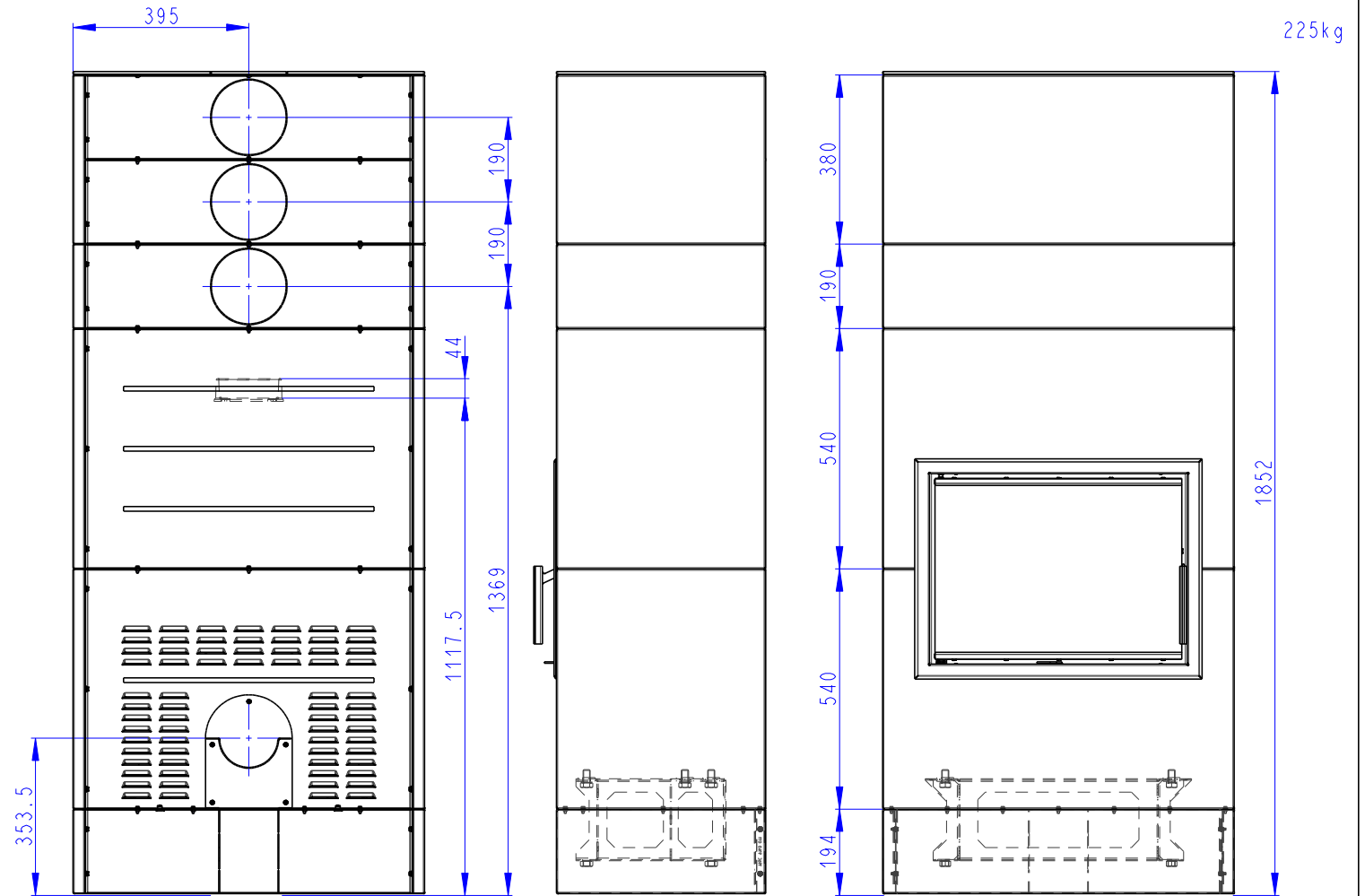
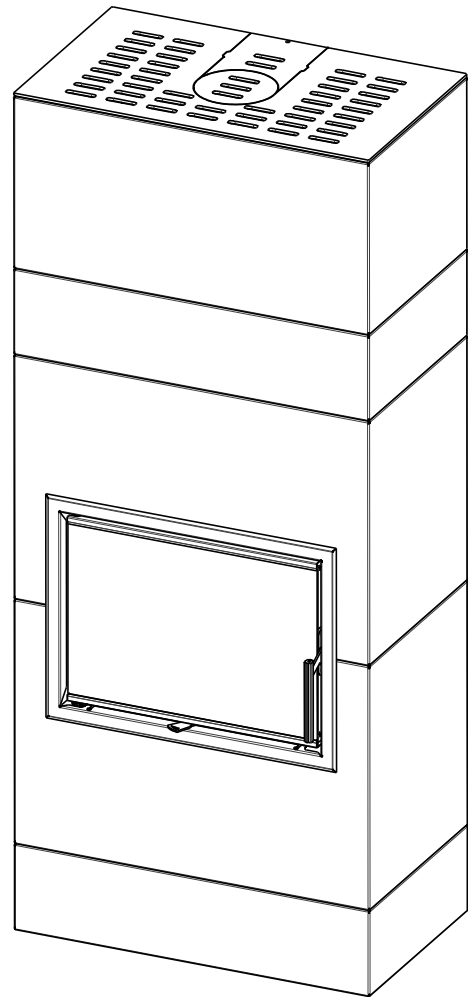
VARIANT FN 03
+ 3xVARI FN 03 S2 + VARI FN 03 S3

226kg



Rozměry v mm
Maße in mm
Dimensions in mm

VARIANT FN 03 + VARI FN 03 S1
+ VARI FN 03 S2 + VARI FN 03 S3



225kg

Rozměry v mm
Maße in mm
Dimensions in mm

VARIANT FN 03 + VARI FN 03 S1
+ VARI FN 03 S2 + VARI FN 03 S3

