

Jøtul FS 165 – I 400 FL

NO	- Monterings- og bruksanvisning	2
DK	- Monterings- og brugsanvisning	12
SE	- Monterings- och bruksanvisning	21
FI	- Asennus- ja käyttöohje	30
GB	- Installation and Operating Instructions	39
FR	- Manuel d'installation et d'utilisation	49
ES	- Manual de instrucciones	58
IT	- Installazione e Istruzioni per l'uso	68
DE	- Montage- und Bedienungsanleitung	78
NL	- Installatie- en montagehandleiding	88

Jøtul FS 165 – I 400 FL
Manual Version P01



Jøtul FS 165 - I 400 FL



Monterings- og bruksanvisningen må oppbevares under hele produktets levetid. These instructions must be kept for future references. Ce manuel doit être conservé pour de futures interventions. Wir empfehlen Ihnen, die Montage- und Bedienungsanleitung für spätere Zwecke sorgfältig aufzubewahren.

Table of contents

1.0 Relationship with the authorities39

2.0 Technical data.....39

3.0 Parts of the surround 41

4.0 Prior to installation42

5.0 Mounting..... 44

6.0 Installation completed..... 48

6.0 Maintenance 48

7.0 Optional equipment 48

1.0 Relationship with the authorities

Jøtul FS 165 – I 400 FL is a freestanding product with Jøtul I 400 FL as the burn chamber, which can be positioned against inflammable walls at the distances described in Fig. 1.

Installation of the fireplace must be according to local codes and regulations in each country. All local regulations, including those that refer to national and European standards, shall be complied with when installing the product.

Installation instructions for the surround are included. Installation and user instructions for the insert are enclosed with the product.

For day-to-day use, maintenance, servicing, etc., please see this document. The installation may only be used once it has been inspected and a certificate of completion has been issued.

Prior to using the product the installation must be approved by a qualified person.

The classification label for the free-standing products is enclosed with the surround's installation instructions and is to be placed on the backside of upper back plate (Fig. 2 - position 15). This contains information about identification and documentation for the product.

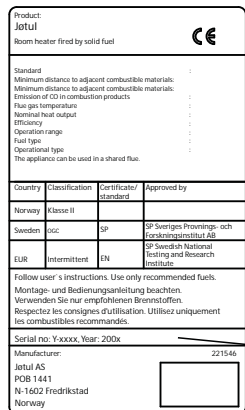
2.0 Technical data

Weight, surround:	Approx. 350 kg
Weight, burn chamber:	Approx. 110 kg
Height:	1835 mm
Width:	872 mm
Depth:	493 mm
Height, centre smoke outlet:	1587 mm

(Technical data for burn chamber - see installation manual for Jøtul I 400 FL)

Optional equipment

- Sidestone with hole cat.no. 361050
- Ash solution cat.no. 341280
- Kit for outside air connection cat.no. 341279



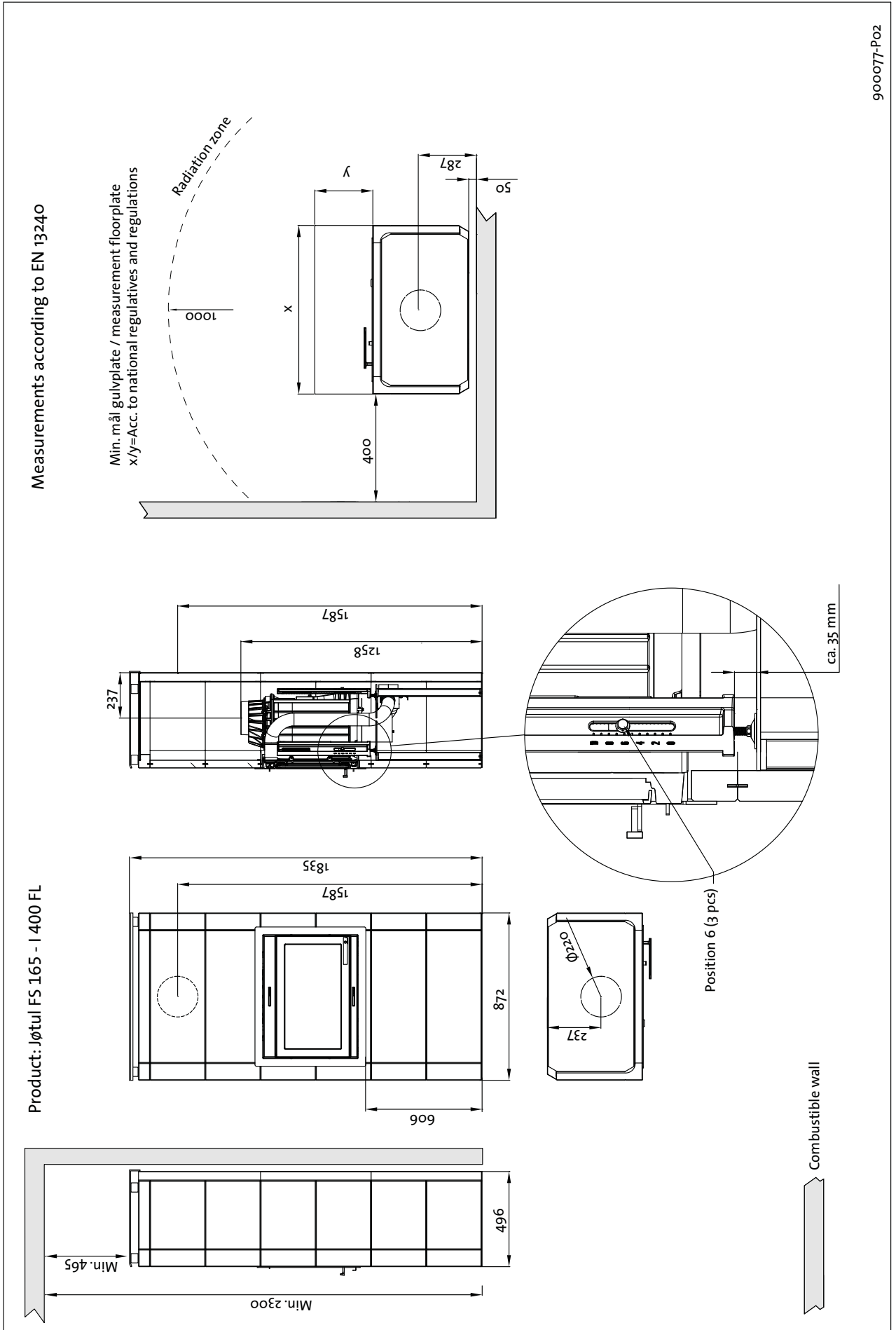
On all our products there is a label indicating the serial number and year. Write this number in the place indicated in the installation instructions.

Always quote this serial number when contacting your retailer or Jøtul.

Serial no.

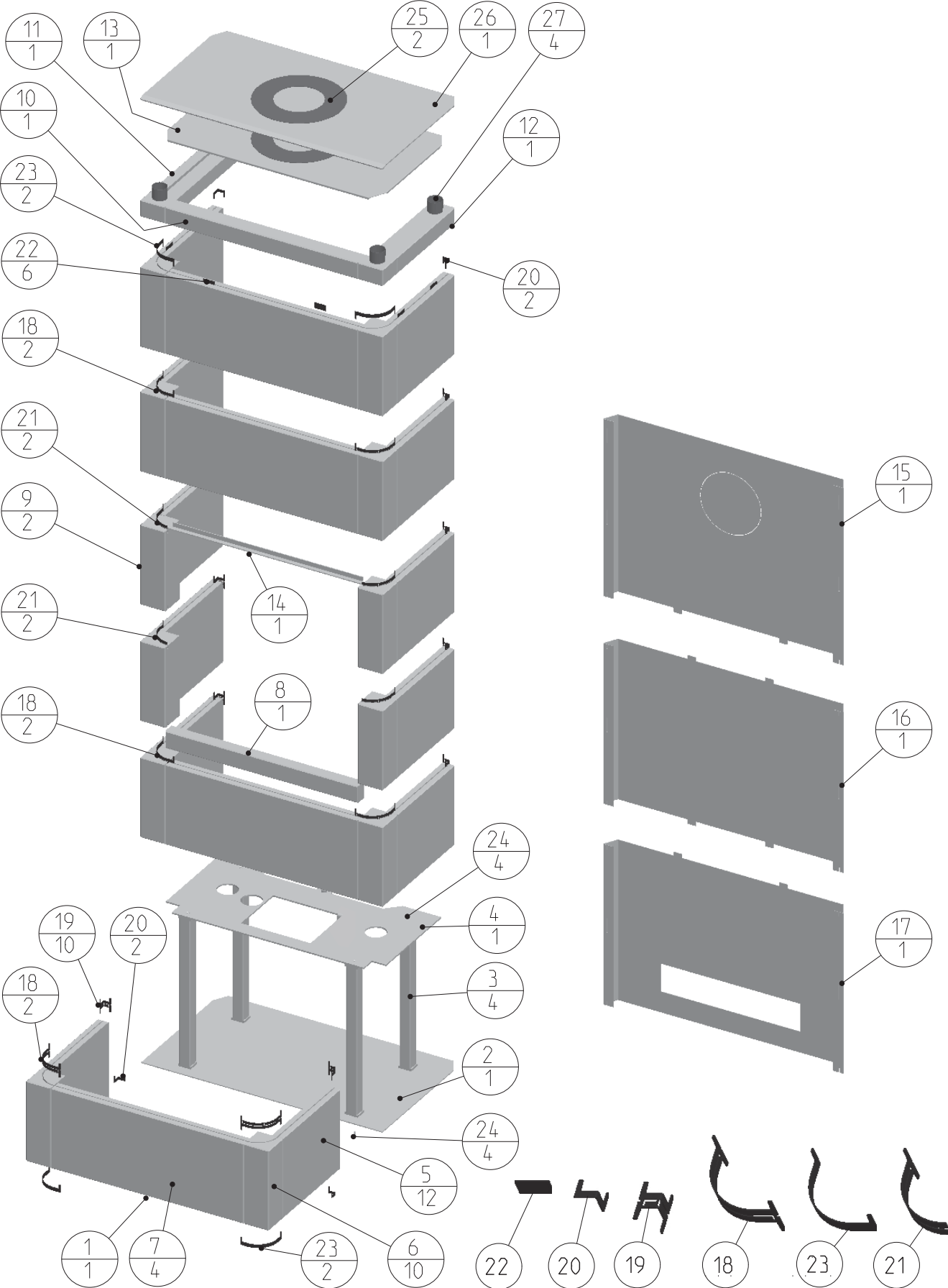
Jøtul FS 165 - I 400 FL

Fig.1



3.0 Parts of the surround

Fig. 2



ENGLISH

4.0 Prior to installation

4.1 Foundations

You need to make sure the foundation is suitable for a stove. See “2.0 Technical data” for specified weight.

Remember: If a steel chimney resting on the burn chamber is being used, the weight of the steel chimney should be taken into account.

NB: It is extremely important that the product be stable; the surface it is installed on must be completely inflexible.

It is recommended that flooring that is not attached to the foundation – «floating floors» – be removed beneath the product.

4.2 Floor covering

Jøtul FS 165 - I 400 FL has an airtight bottom plate and no extra floor covering is required beneath the product.

Any floor covering of inflammable material, such as linoleum, carpets, etc. must be removed from under the product.

4.3 Floor plate

A plate made of steel or some other suitable non-inflammable metal (optional extra) is placed in front of the hearth.

The floor plate must comply with national laws and regulations.

Contact your local building authorities regarding restrictions and installation requirements.

4.4 Air supply

There must be a flow of air between the burn chamber and the surround. This is to ensure that there is not too great a build-up of heat inside the surround.

NB: It is extremely important that air openings not be covered. See fig. 1 for distances.

4.5 External air

A flexible supply hose allowing external air to be fed directly into the product can be passed through the opening in the rear plate. See separate manual.

4.6 Steel chimney

If a top-mounted steel chimney is used, an uninsulated pipe is fitted from the burn chamber to approximately **10 mm** through the top stones. Make sure that the gasket is properly seated between the flue pipe and the smoke outlet. Then fit the steel chimney in accordance with the chimney supplier's installation instructions.

4.7 Ceiling

Make sure the room where the Jøtul FS 165 - I 400 FL is to be placed has a ceiling height of **at least 2300 mm**.

4.8 Chimney and flue pipe

- The stove must be connected to a chimney and flue pipe

approved for solid fuel fireplaces with flue gas temperatures as specified in «2.0 Technical data» in the insert manual.

- The cross-section of the chimney must be at least that of the flue pipe. To calculate the correct chimney cross section, see «2.0 Technical data» in the insert manual.
- Several solid fuel products can be connected to the same chimney system if the chimney cross-section is adequate. Contact your local building authorities regarding restrictions and installation requirements.
- Connection to the chimney must be performed in accordance with the installation instructions of the chimney supplier.
- Make sure that the flue pipe rises all the way up to the chimney.
- Please note that it is extremely important for connections to have a degree of flexibility.

For recommended chimney draught, see «2.0 Technical data» in the insert manual.

4.9 Preparation

The basic product is supplied in two packages:

1. the burn chamber,
2. and soap stones with mounting sections.

NB: Check that there is no visible damage to the product when you unpack it, and make sure that the control handles move freely.

The burn chamber is heavy, – make sure it does not topple over while you are installing it!

Ensure you have help when positioning and installing it.

The product is supplied together with 3 manuals:

1. General user and maintenance manual
2. Jøtul FS 165 - I 400 FL (surround)
3. Jøtul I 400 FL (burn chamber)

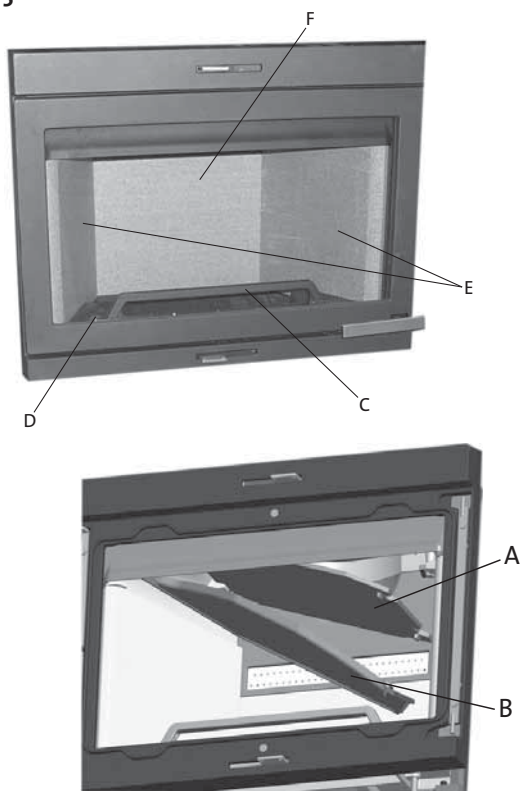
The surround consists of the following elements (Fig. 2):

Part	Description	Total
2	Bottom plate	1 pcs
3	Leg	4 pcs
4	Insert support plate	1 pcs
5	Side stone	12 pcs
6	Corner stone	10 pcs
7	Front stone	4 pcs
8	Front stone, low	1 pcs
9	Corner stone over insert	2 pcs
10	Top stone, front	1 pcs
11	Top stone, left	1 pcs
12	Top stone, right	1 pcs
13	Top grid	1 pcs
14	Support bracket	1 pcs
15	Rear plate, upper	1 pcs
16	Rear plate, middle	1 pcs
17	Rear plate, lower	1 pcs
18	Bracket 1	6 pcs
19	Bracket 3	10 pcs
20	Bracket 6	4 pcs
21	Bracket 5	4 pcs
22	Bracket 2	6 pcs
23	Bracket 4	4 pcs
24	Screw countersink unb, M6x16	8 pcs
25	Smoke outlet cover	2 pcs
26	Heat shield, top	1 pcs
27	Distance piece	4 pcs

Prior to installation, decide on the following:

1. Where the smoke outlet should be.
2. Position of external air connection if being used (see «4.5 External Air»).
3. Ash collection system if being used.

Refer to manuals for parts installation instructions.

Fig. 3

Once the burn chamber has been unpacked, take the box containing the smoke bell, log retainer (**Fig. 3 C**), gasket and bag of screws out of the burn chamber. Then remove the air duct (**Fig. 3 D**), baffle (**Fig. 3 B**), exhaust deflector (**Fig. 3 A**), side burn plates (**Fig. 3 E**) and then the rear burn plate (**Fig. 3 F**).

NB: The burn plates are made of a porous material (yellow vermiculite) and may be damaged if they are handled roughly.

ENGLISH

5.0 Mounting

NB: The base must be level. Max. 1 mm/m tolerance. This is extremely important to ensure that the rest of the installation is correct.

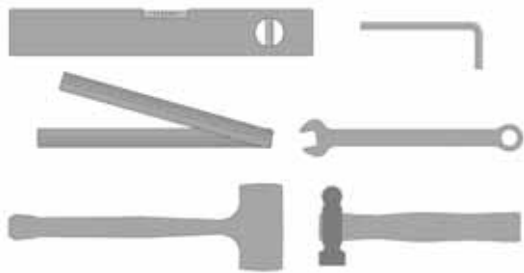
All stones must be level. This has to be checked for each new layer of stones. If necessary use small pieces of steel or silicon to adjust the height of the stones.

Important!

Bear in mind that the stones may be damaged if they are handled roughly. Do not knock the mounting brackets too hard. Installation should be carried out by a qualified person.

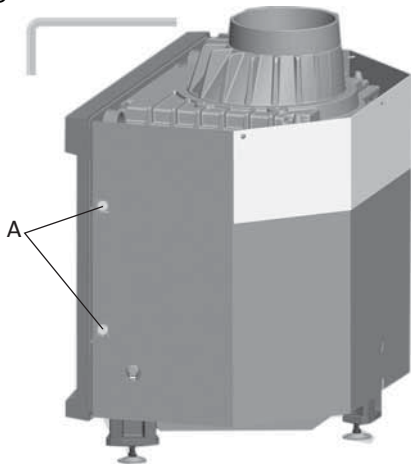
Fig. 4

Necessary tool during mounting.



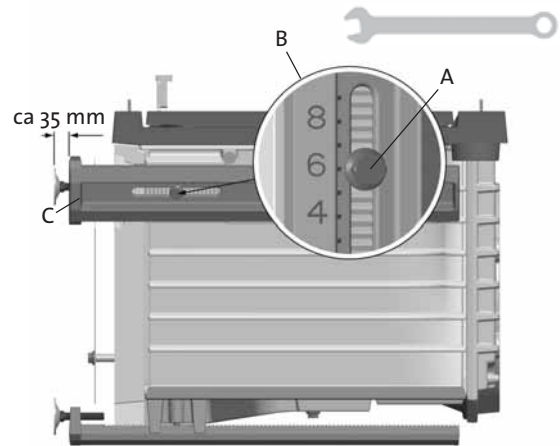
Spirit level, allen key, folding ruler, wrench, rubber mallet and hammer.

Fig. 5



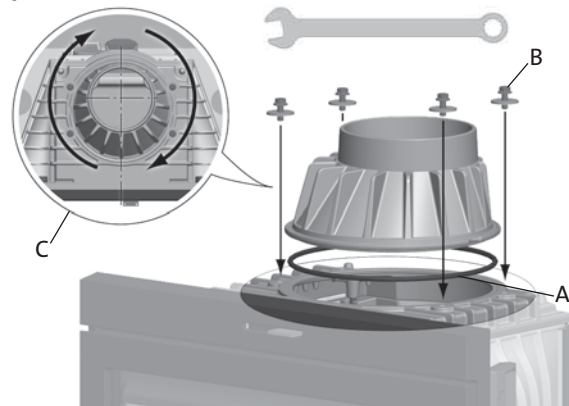
1. Remove the heat shields by unscrewing the two screws, M8x20 mm, on either side (Fig. 5 A) of the burn chamber.

Fig. 6



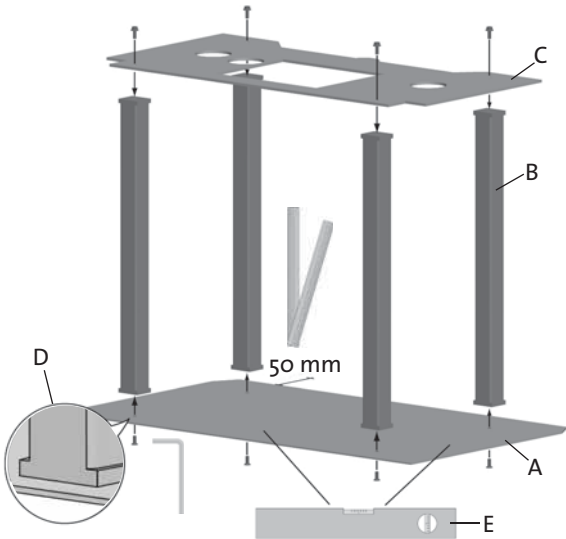
1. Lay the burn chamber carefully down on its back (Fig. 6). You can put the cardboard packaging on the floor to protect it from scratches, etc.
2. Adjust the length of the 3 legs by loosening the bolt (Fig. 6 A). Pull the leg down to position «6» (Fig. 6 B) and fasten the bolt firmly again.
3. Screw the foot screws (Fig. 6 c) through the foot. Adjust length to approx. 30 mm.
4. Stand the product carefully up.

Fig. 7



1. Install the accompanying gasket (Fig. 7 A) on the underside of the edge of the smoke bell in the gasket channel.
2. Install the smoke bell from outside by fixing it in place using the four accompanying M8x20 mm screws and washers (Fig. 7 B).
3. Rotate the smoke bell to the correct position (Fig. 7 C). Tighten the screws.

Fig. 8



1. Assemble the stand. The stand consist of bottom plate (Fig. 8 A), 4 legs (Fig. 8 B) and top plate (Fig. 8 C).
2. It is very important that the legs are mounted as shown in figure 8 D.
3. Place the stand at its final position and make sure a gap of min. 50 mm to the wall.
4. The floor and stand has to be completely level (Fig. 8 E). This is extremely important to ensure that the rest of the installation is correct.

Fig. 9



1. When using an External air connection (cat. no. 341279), this has to be fitted now.

Fig. 10

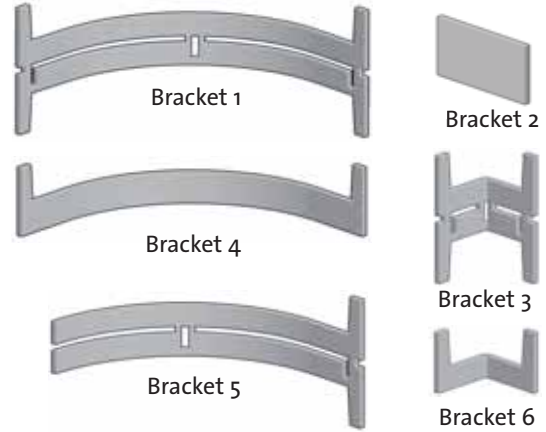
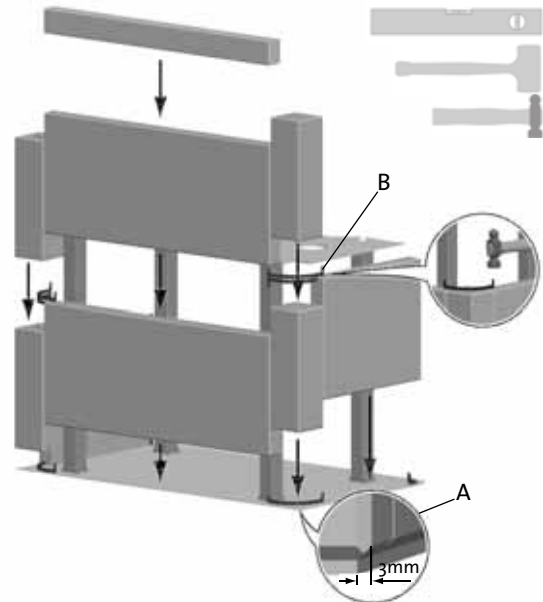


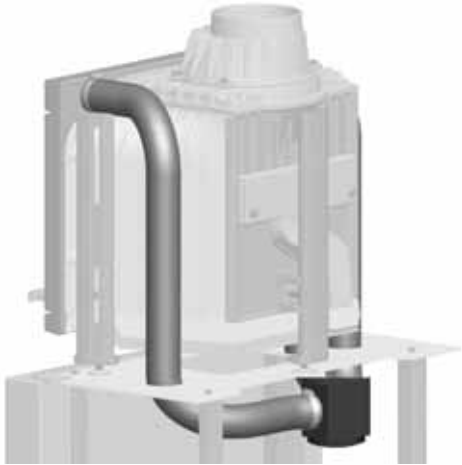
Fig. 11



1. Fit the first layer of soap stone on the bottom plate. Use bracket 4 and bracket 6 under to hold them in place. **NB!: Do not use corner stones marked 223628 until layer 4. See fig. 18.**
2. Make sure the layer is level and placed correct on the bottom plate (Fig. 11 A). Use a rubber mallet to adjust the stones.
3. Place the front stone and corner stones of the second layer using bracket 1 (Fig. 11 B).

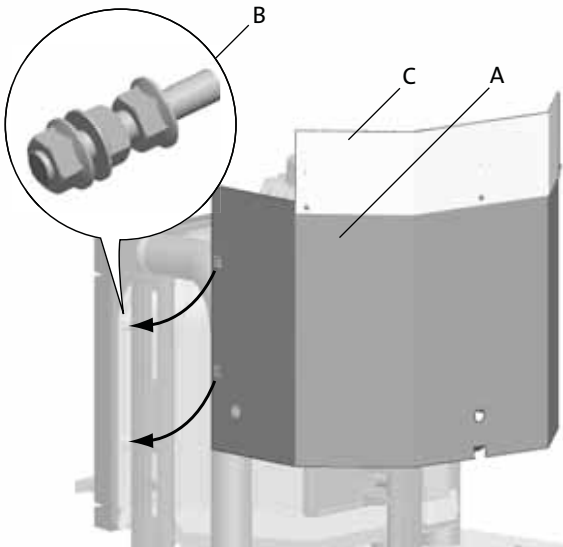
ENGLISH

Fig. 12



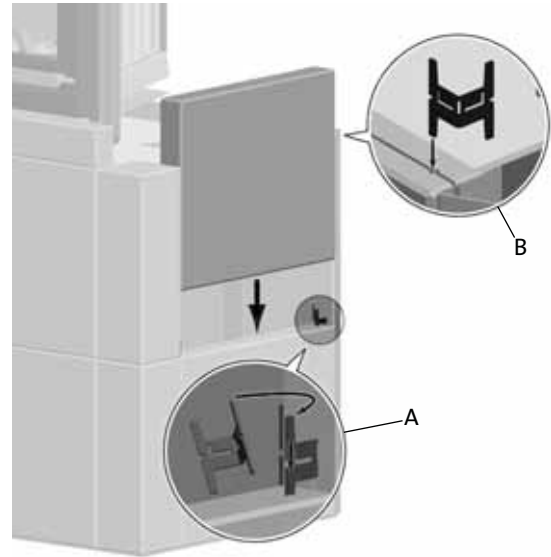
1. Position the burn chamber on the stand. Make sure that the burn chamber is positioned stably.
2. Attach the **External air connection (cat. no. 341279)** if this is selected.

Fig. 13



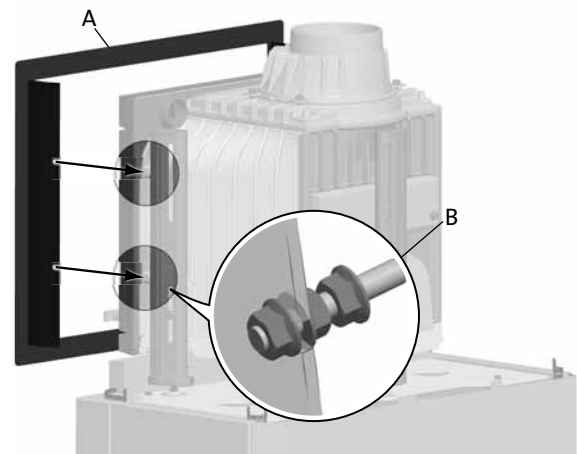
1. Replace the heat shield (**Fig. 13 A**).
2. Use the accompanying threaded pins and nuts (**Fig. 13 B**) as a replacement for M8x16mm which was removed (**see Fig. 5 A**).
3. Remove the 3 tapping screws and turn the upper heat shield upside down (**Fig. 13 C**).

Fig. 14



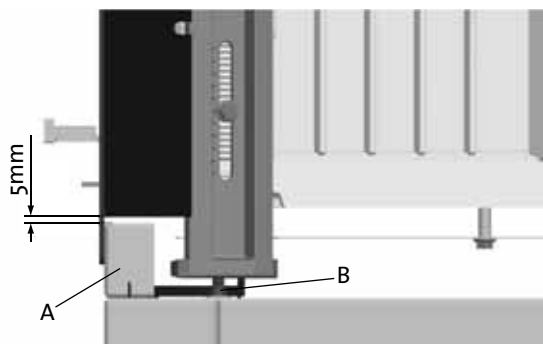
1. Mount the first rear plate to **bracket 6** that is placed under the first layer of soap stone.
2. Mount **bracket 3** from the inside through the back plate (**Fig. 14 A**). Use a hammer and knock it gently into the soap stone.
3. Place the side stones of the second layer between the corner stones and the rear plate. Use **bracket 3** to hold it in place (**Fig. 14 B**).
4. Make sure everything is level.

Fig. 15



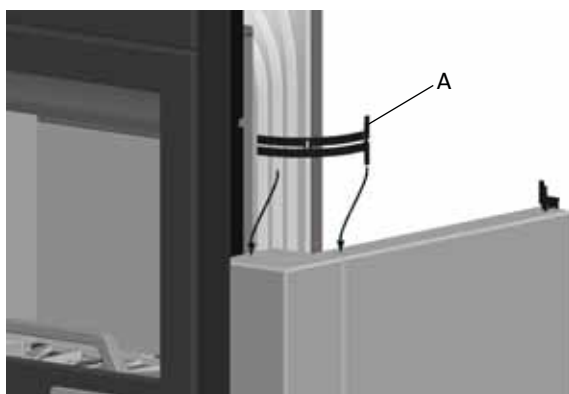
1. Attach the decorative frame (**Fig. 15 A**) to the burn chamber using the threaded pins and nuts mounted in **figure 13 B**.
2. The position of the frame can be adjusted with the nuts (**Fig. 15 B**).

Fig. 16



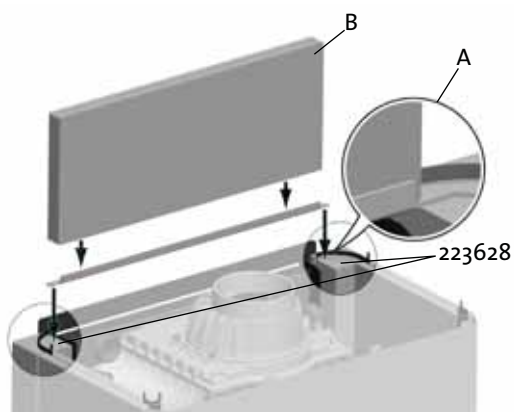
1. Adjust the position of the burn chamber in relation to the surround.
2. The front of the burn chamber must be flush with the front of the layer.
3. The gap below the decorative frame must be 5 mm parallel to the second layer on the top (Fig. 16 A) This can be adjusted with the foot screws (Fig. 16 B).
4. Level the burn chamber.

Fig. 17



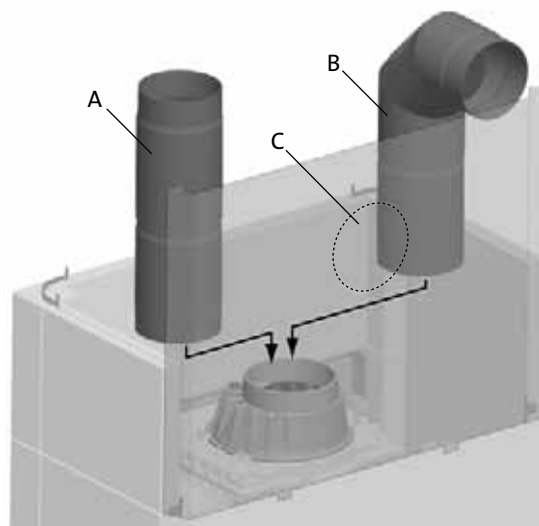
1. Use bracket 5 (Fig. 17 A) on layer 3 and 4.
2. Adjust the brackets with bare hands if necessary to make them hold the stones together.

Fig. 18



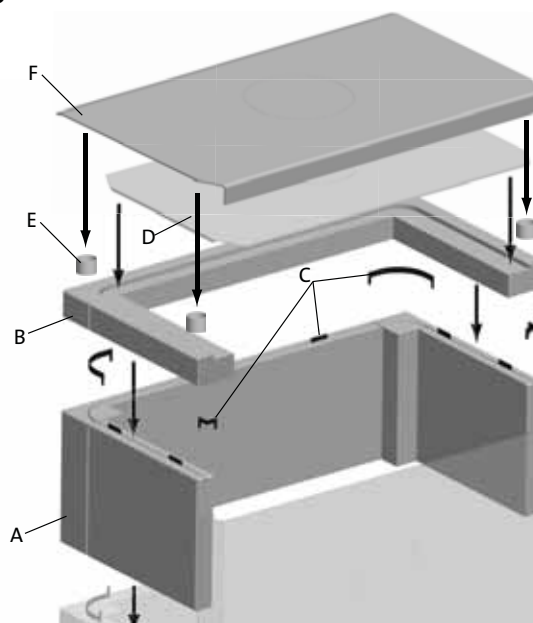
1. Place the attachment bracket on the special corner stone 223628 (Fig. 18 A). The front stone (Fig. 18 B) of layer 5 shall rest on the attachment bracket.

Fig. 19



1. Install the flue pipe. Top smoke outlet (Fig. 19 A) or rear smoke outlet (Fig. 19 B). If a rear smoke outlet: Remove the knockout in the rear plate (Fig. 19 C).

Fig. 20



If top smoke outlet:

1. Place the last layer (Fig. 20 A) and the top layer (Fig. 20 B). Use bracket 2, bracket 4 and bracket 6 between the last layer and the top layer (Fig. 20 C).
2. Remove the knockout and place the top grid (Fig. 20 D).
3. Place the distance pieces (Fig. 20 E), remove the knockout and place top heat shield (Fig. 20 F).

If rear smoke outlet:

1. Place the last layer (Fig. 20 A) and the top layer (Fig. 20 B). Use bracket 2, bracket 4 and bracket 6 between the last layer and the top layer (Fig. 20 C).
2. Place the top grid (Fig. 20 D).
3. Place the distance pieces (Fig. 20 E) and place top heat shield (Fig. 20 F).

ENGLISH

6.0 Installation completed

See the General user and maintenance manual for Jøtul I 400 FL for the use and maintenance of the product.

7.0 Maintenance

If you have the misfortune to find scratches in the surface, these may be polished out using a fine sandpaper. If deeper scratches are present, a paste made of powdered soap stone and water glass (sodium silicate) can be made up which you can use to fill the stone.

8.0 Optional equipment

Sidestone w/hole	-	cat.no 361050
Ash collection system	-	cat. no. 341280
Outside air connection	-	cat. no. 341279

Sluttkontroll av ildsteder

Quality control of stoves and fireplaces

Checked

Utført	Kontrollpunkt	Controlled item
✓	Alle deler er med i produktet (ifølge struktur).	All parts are included.
✓	Alle festemidler er av korrekt type, og er korrekt anvendt.	Correct fastener items have been used and correctly applied.
✓	Overflater er i samsvar med Jøtuls kvalitetsstandarder.	Surfaces comply with Jøtul workmanship standards.
✓	Lukkemekanismer fungerer som de skal, og uten behov for unødig stor kraft.	Door locking mechanisms function correctly; excessive force is not needed.
✓	Produktet/serien møter kravet for lekkasjetest.	The product/lot complies with the leakage test requirement.
✓	Lakkerte/emaljerte overflater møter kravene i Jøtuls kvalitetsstandarder.	Paint/enamel surface finish complies with Jøtul workmanship standards.
✓	Produktet er fritt for utvendig kitt- eller limklin.	Surfaces are not contaminated by external stove cement or glue.
✓	Produktet har ingen sprekker i glass, støpejern eller andre deler.	There are no cracks in glass, cast iron or other parts.
✓	Pakninger er riktig lagt, og skjemmer ikke produktet ved stygge ender eller ved at pakningen er unødig synlig.	Gaskets are correctly applied and do not degrade product appearance (i.e. loose ends or excessive visible exposure).
✓	Dørpakninger er godt limt.	Door gaskets are firmly glued/fixed to the door.
✓	Dørpakninger har tilfredsstillende pakningstrykk.	Door gaskets provide satisfactory sealing.
✓	Sjekk at det ikke "lyser gjennom" i dørpakning eller andre sammenføyninger.	Check for "light through" at door seals and other relevant locations.
✓	Trekkhendler osv fungerer normalt.	The function of air valve handle etc is normal.

Jøtul bekrefter herved at dette produktet er kontrollert og funnet å være i samsvar med våre kvalitetsnormer.	Jøtul hereby confirm that this product has been QC inspected and found to comply with our quality standards.
Lot. No. / Serie nr. - Checked by / kontrollert av	

Cat.no. 10026674 (224043)-P01
Jøtul AS, Aug. 2010

Jøtul arbeider kontinuerlig for om mulig å forbedre sine produkter, og vi forbeholder oss retten til å endre spesifikasjoner, farger og utstyr uten nærmere kunngjøring.

Jøtul bemüht sich ständig um die Verbesserung seiner Produkte, deshalb können Spezifikationen, Farben und Zubehör von den Abbildungen und den Beschreibungen in der Broschüre abweichen.

Jøtul pursue a policy of constant product development. Products supplied may therefore differ in specification, colour and type of accessories from those illustrated and described in the brochure.

Jøtul s'attache à l'amélioration constante de ses produits. Ceux livrés peuvent présenter quelques différences d'aspect, de couleur et d'accessoires par rapport au présent document.

Kvalitet

Jøtul AS arbeider etter et kvalitetssikringssystem basert på NS-EN ISO 9001 for utvikling, produksjon og salg av ildsteder. Vår kvalitetspolitikk skal gi kundene den trygghet og kvalitetsopplevelse som Jøtul har stått for siden bedriftens historie startet i 1853.

Qualität

Jøtul AS hat ein Qualitätssicherungssystem, das sich bei Entwicklung, Produktion und Verkauf von Öfen und Kaminen nach NS-EN ISO 9001 richtet. Diese Qualitätspolitik vermittelt unseren Kunden ein Gefühl von Sicherheit und Qualität, für das Jøtul mit seiner langjährigen Erfahrung seit der Firmengründung im Jahre 1853 steht.

Quality

Jøtul AS has a quality system that conforms to NS-EN ISO 9001 for product development, manufacturing, and distribution of stoves and fireplaces. This policy gives our customers quality and safety piece of mind as a result of Jøtul's vast experience dating back to when the company first started in 1853.

Qualité

Jøtul AS applique une procédure de contrôle de qualité conforme à la norme NS-EN ISO 9001 pour le développement, la fabrication et la distribution de sa gamme de poêles, foyers et inserts. Cette démarche assure à nos clients une tranquillité d'esprit sur la qualité et la sécurité, due à une expérience remontant à la création de la société en 1853.

Jøtul AS,
P.O. box 1411
N-1602 Fredrikstad,
Norway

www.jotul.com

