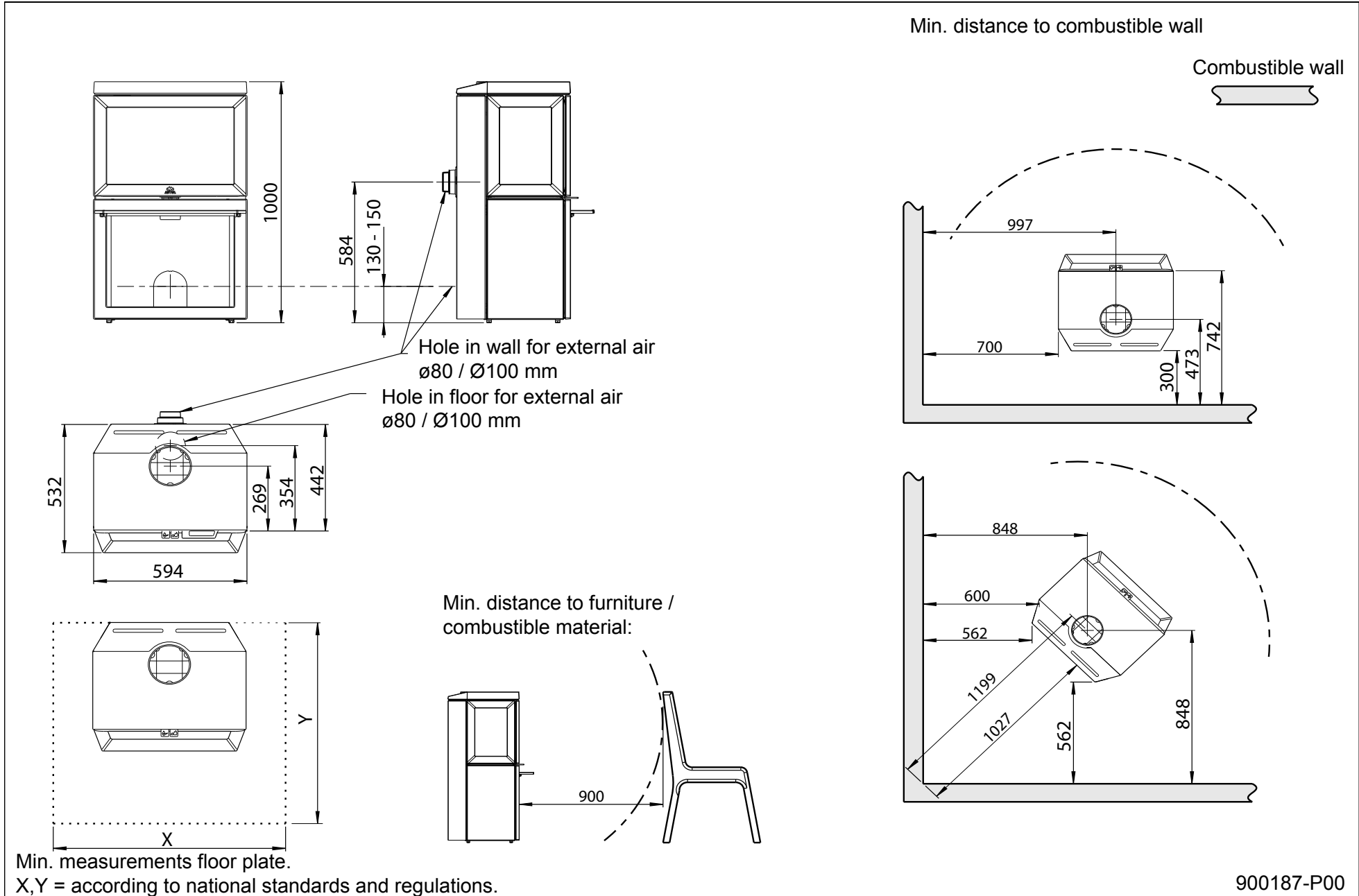


Fig. 1 a

Jøtul F 520

ENGLISH



Min. measurements floor plate.

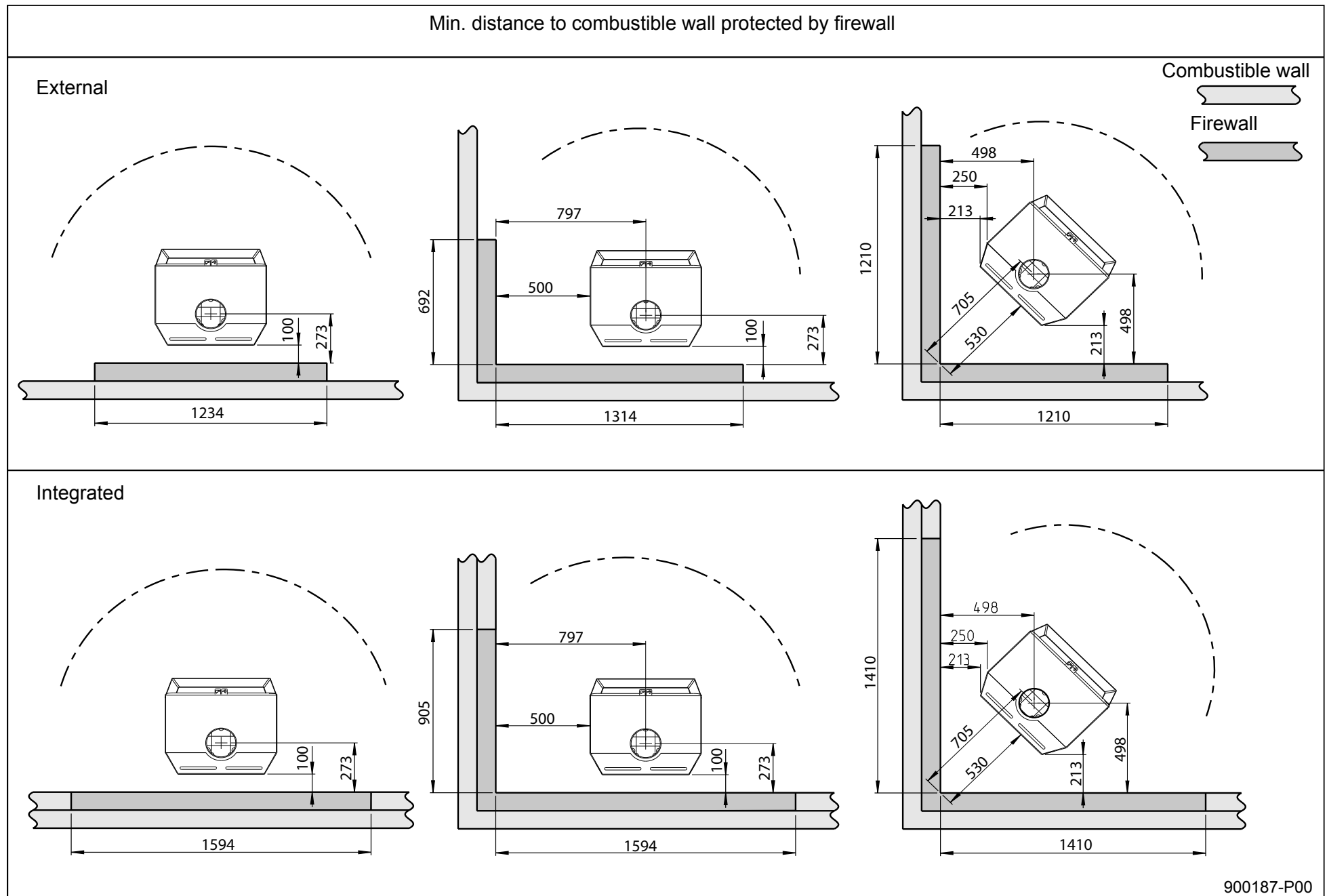
X, Y = according to national standards and regulations.

900187-P00

Fig. 1 b

Jøtul F 520

Min. distance to combustibile wall protected by firewall



900187-P00