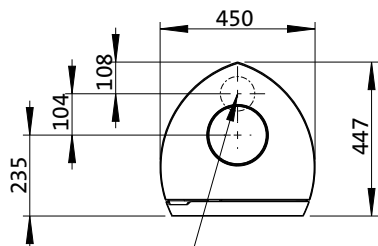
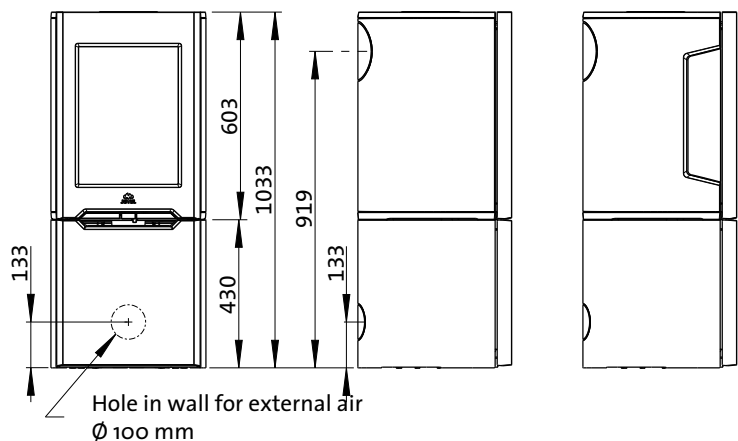


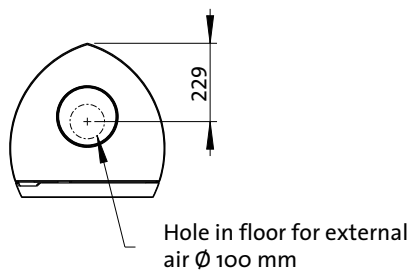
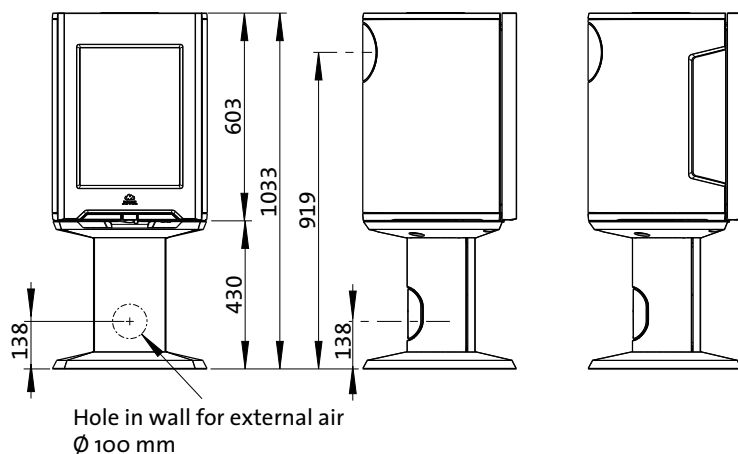
Fig. 1a

Jøtul F 164 / Jøtul F 165 / Jøtul F 166 / Jøtul F 167 / Jøtul F 166 C / Jøtul F 167 C

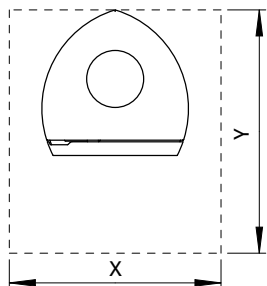
Product: Jøtul F 164 / Jøtul F 165



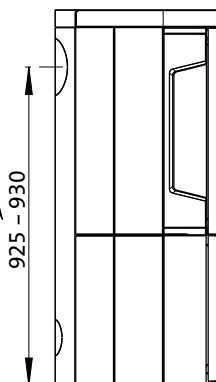
Product: Jøtul F 166 / Jøtul F 167



Jøtul F 164 / Jøtul F 165 with soapstone set and floor plate



Smoke outlet when using soapstone set and floor plate



Product: Jøtul F 166 C / Jøtul F 167 C

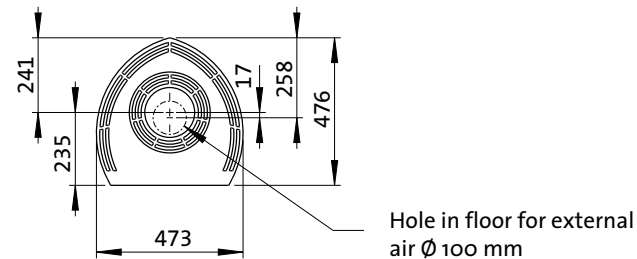
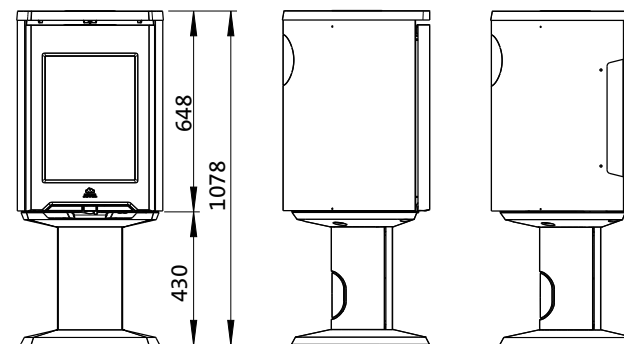
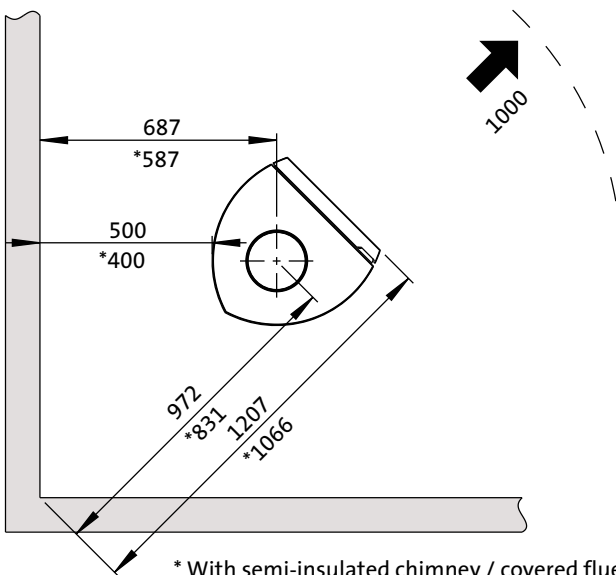
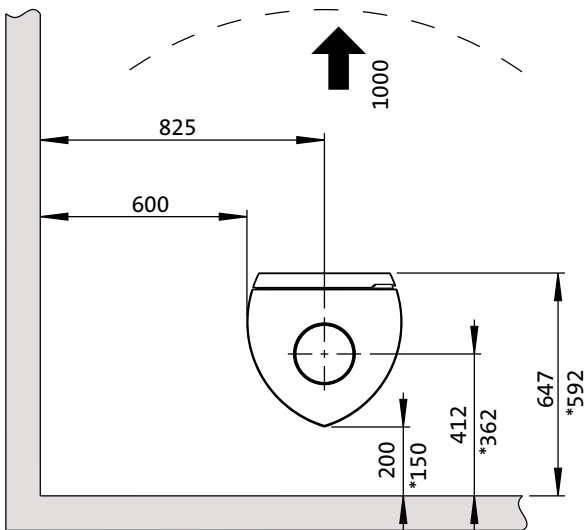


Fig. 1b

Jøtul F 164 / Jøtul F 165 / Jøtul F 166 / Jøtul F 167

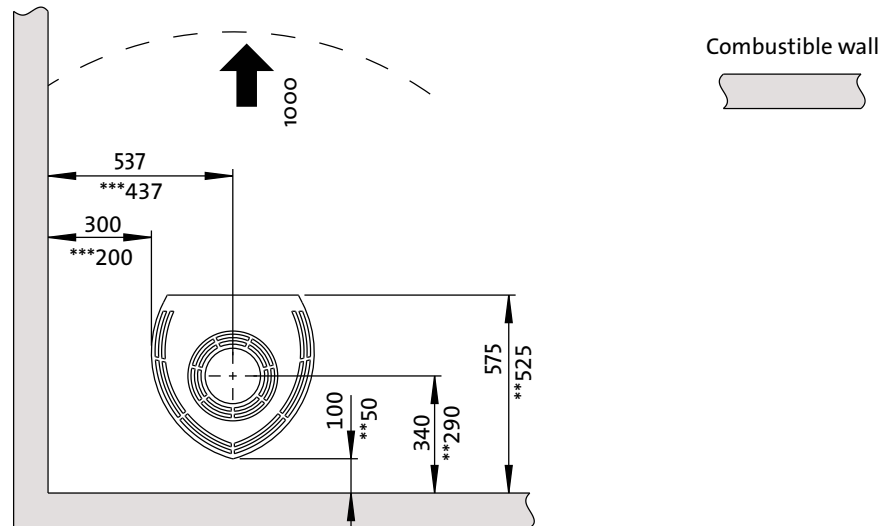
Min. distance to combustable wall, base model



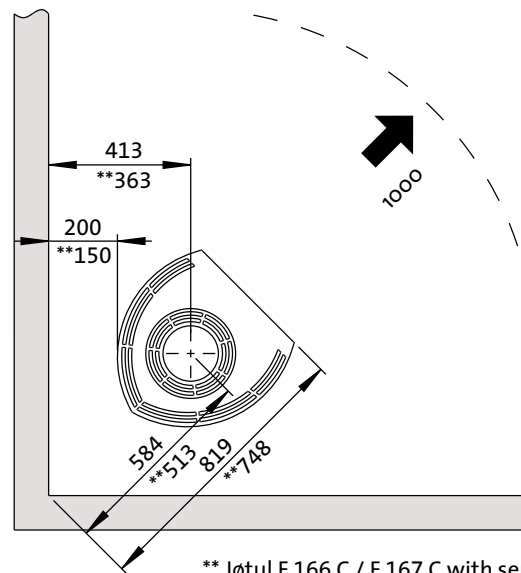
* With semi-insulated chimney / covered flue pipe down towards the product.

Jøtul F 166 C / Jøtul F 167 C

Min. distance to combustable wall, convection model



*** For Jøtul F 166 C only



** Jøtul F 166 C / F 167 C with semi-insulated chimney / covered flue pipe down towards the product.

900128-Po2

Fig. 1c

Jøtul F 164 / Jøtul F 165 / Jøtul F 166 / Jøtul F 167

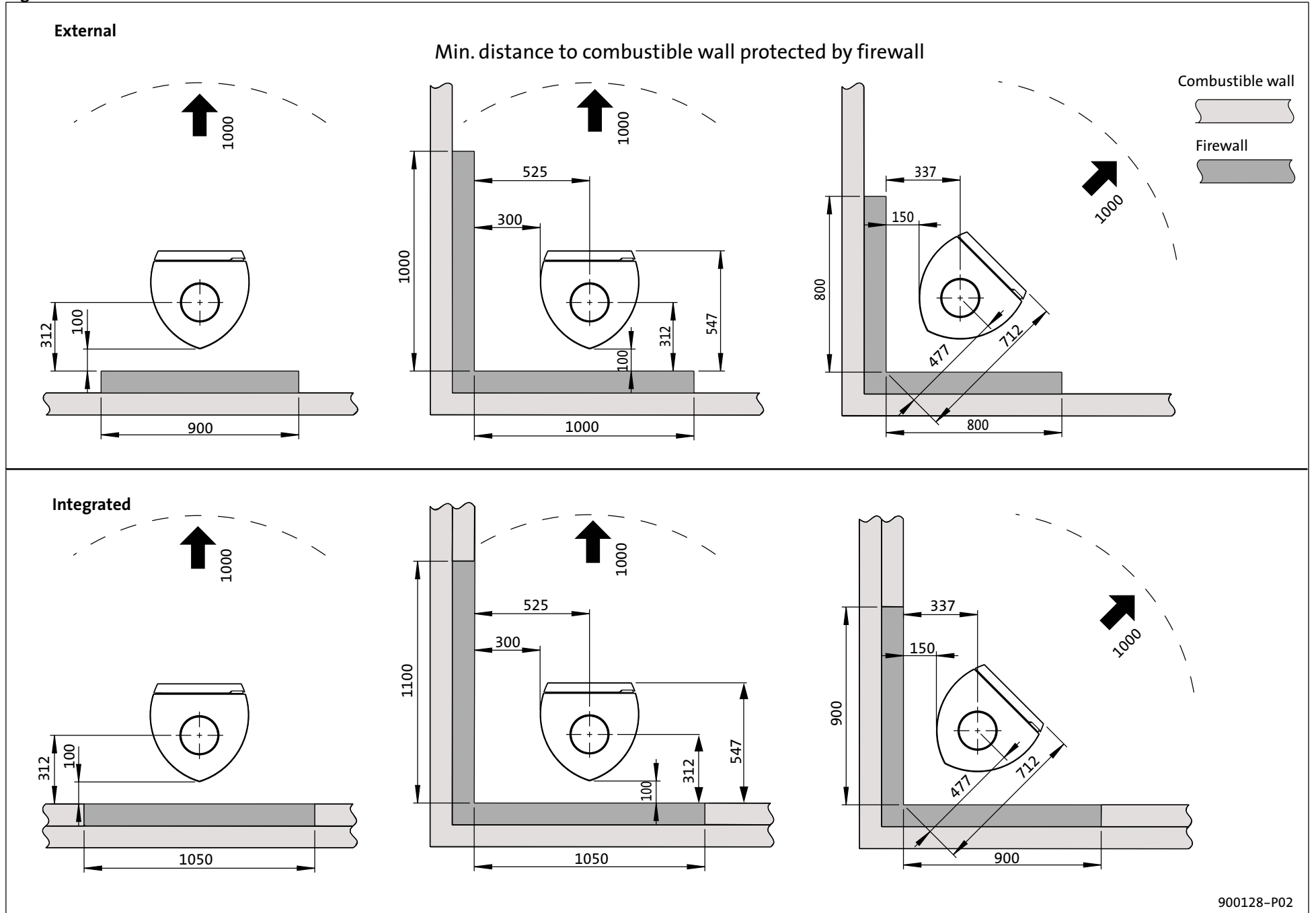


Fig. 1d

Jøtul F 166 C / Jøtul F 167 C

