

OPERATION WHEN DIRECTLY CONNECTED TO CHIMNEY	Cupola	Hot air exchanger
Tested according to	EN 13229	EN 13229
Nominal heat power	6 kW	9 kW
Efficiency	> 80 %	> 80 %
Consumption of wood	1,8 kg/h	2,6 kg/h
Mass flow of flue gas	6,1 g/s	7,5 g/s
Average flue gas temperature on the output	232 °C	255 °C
Heat distribution		
fireplace insert	74–84 %	74–84 %
door glass (single / double)	26 / 16 %	26 / 16 %
Required chimney pressure	12 Pa	12 Pa
Required amount of combustion air	20 m ³ /h	25 m ³ /h
Minimum supply air grating cross-section	600 cm ²	900 cm ²
Minimum outgoing air grating cross-section	700 cm ²	1050 cm ²

OPERATION WITH CONNECTED ACCUMULATION MASS	Cupola	Adaptor
Load of wood	4,5 kg	4,5 kg
Total heat output of the burning chamber	18 kW	18 kW
Mass flow of flue gas	15 g/s	15 g/s
Average flue gas temperature on the output ¹⁾	383 °C	397 °C
past 3,4 m of ceramic accumulation system KMS 300 ²⁾	186 °C	–
past 5 pcs of accumulation rings KAM + termination ring	–	229 °C
Heat distribution		
fireplace insert	40 %	34 %
door glass (single / double)	26 / 16 %	26 / 16 %
adjoining accumulation mass	34–44 %	40–50 %
Required chimney pressure	12 Pa	12 Pa
Minimum radiant area ³⁾	ca. 4 m ²	ca. 4 m ²
Required amount of combustion air	45 m ³ /h	45 m ³ /h

GENERAL TECHNICAL INFORMATION	
Combustion air connection	Ø 125 mm
Total weight / lining weight	ca. 147 / 64 kg
Use in non-ventilated accumulation builds according to craft rules	suitable
Meets values	BImSchV (Stufe2), 15a BVG

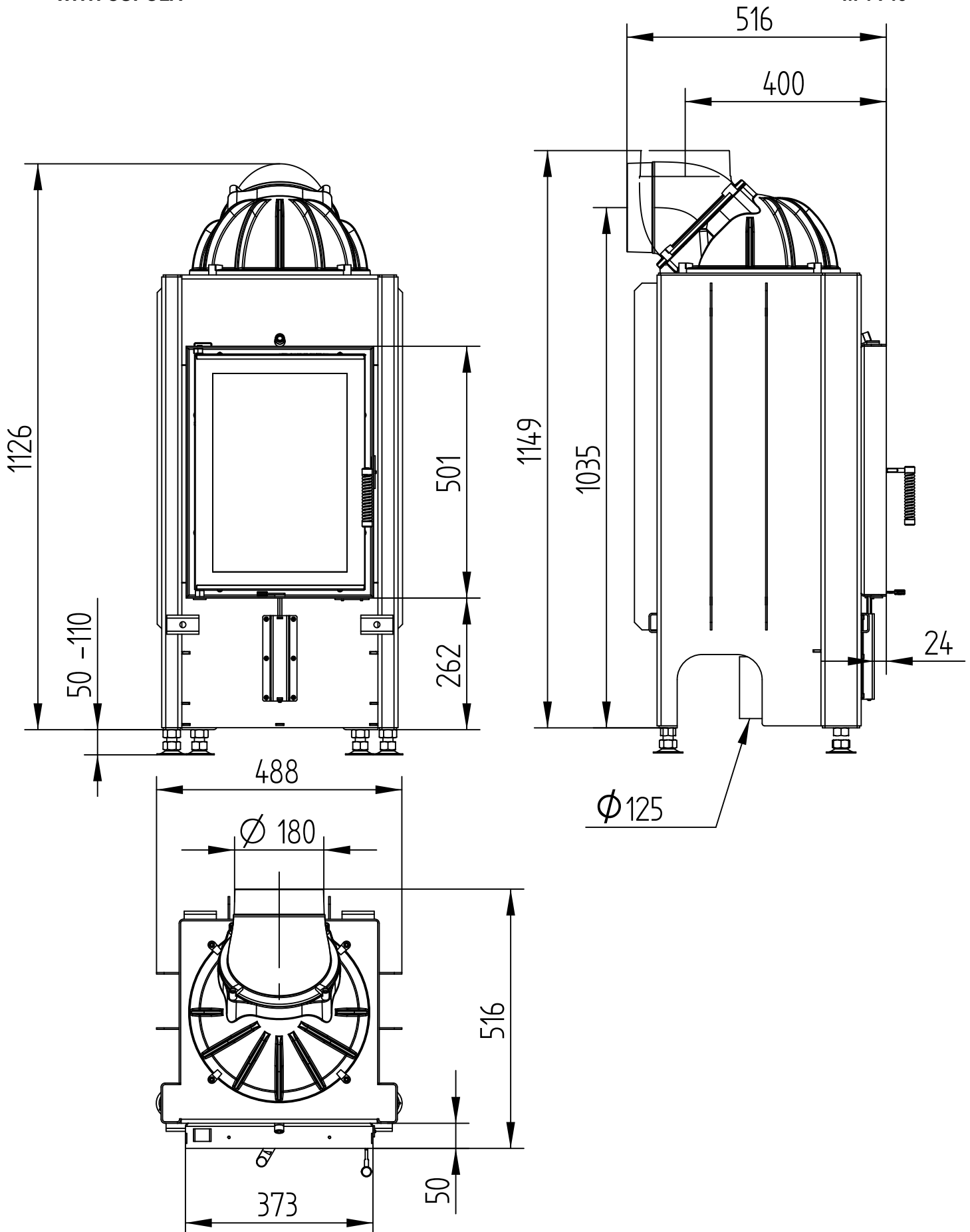
- 1) The Hoxter products are available in the Austrian stove-calculation program for evaluation of firebrick accumulation systems.
- 2) Only a sample calculation! For accurate results is evaluation of each system in the KMS-calculation program from the Ortner company necessary.
- 3) Depends on accumulation period and material characteristics and its thickness. Calculated with heat emission of the radiant area ca. 500 kW/m².hr

HAKA 37/50

Technical data
Version 08/2015

WITH CUPOLA

M 1 : 10

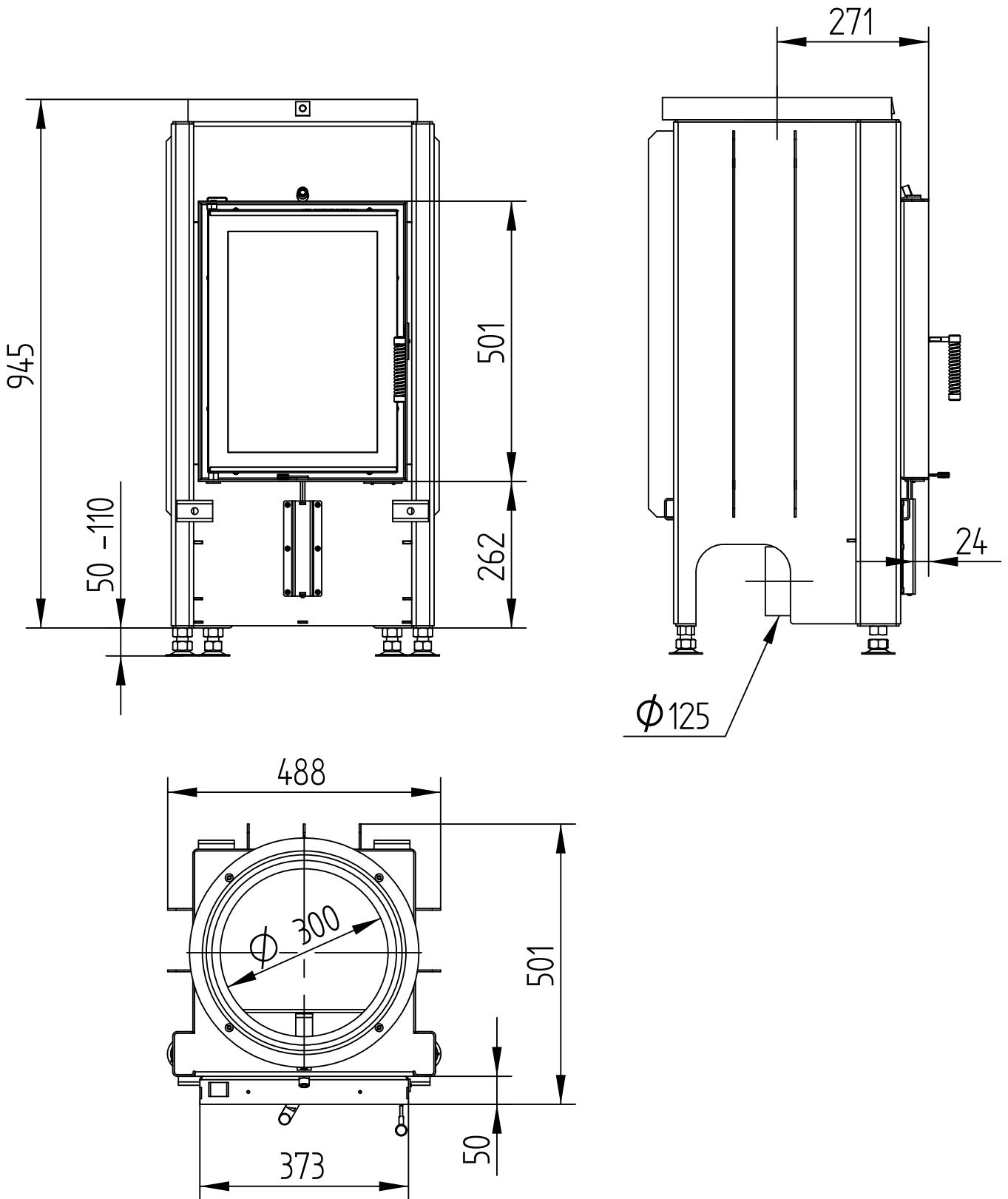


HAKA 37/50

Technical data
Version 08/2015

WITH ADAPTOR

M 1 : 10

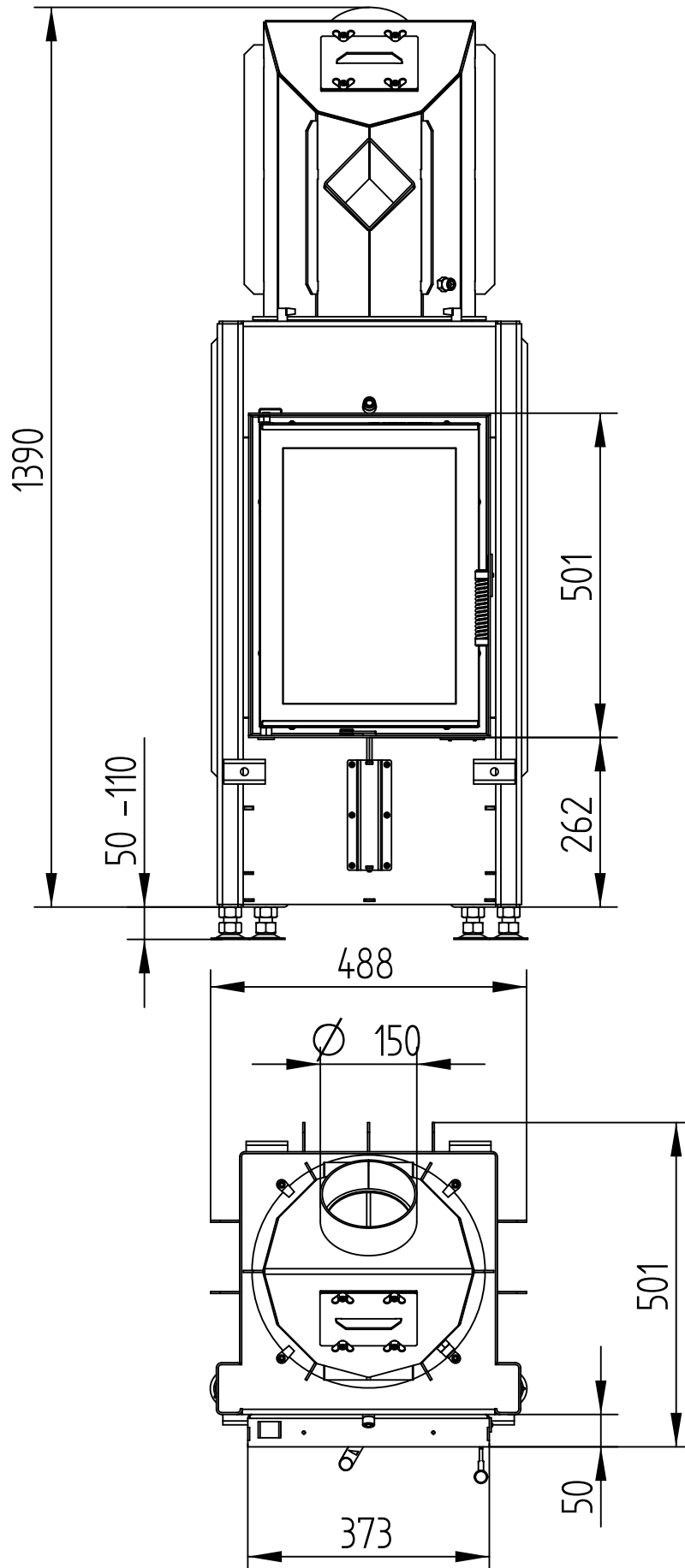


HAKA 37/50

WITH HOT AIR EXCHANGER

Technical data
Version 08/2015

M 1 : 10

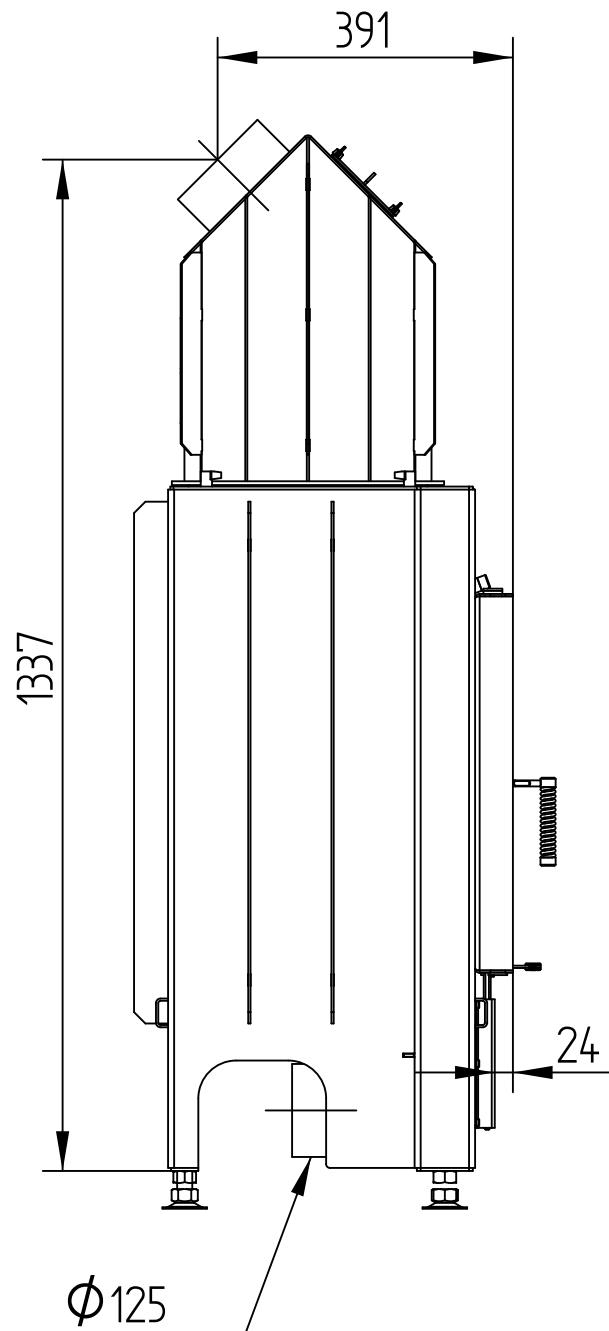


HAKA 37/50

WITH HOT AIR EXCHANGER

Technical data
Version 08/2015

M 1 : 10

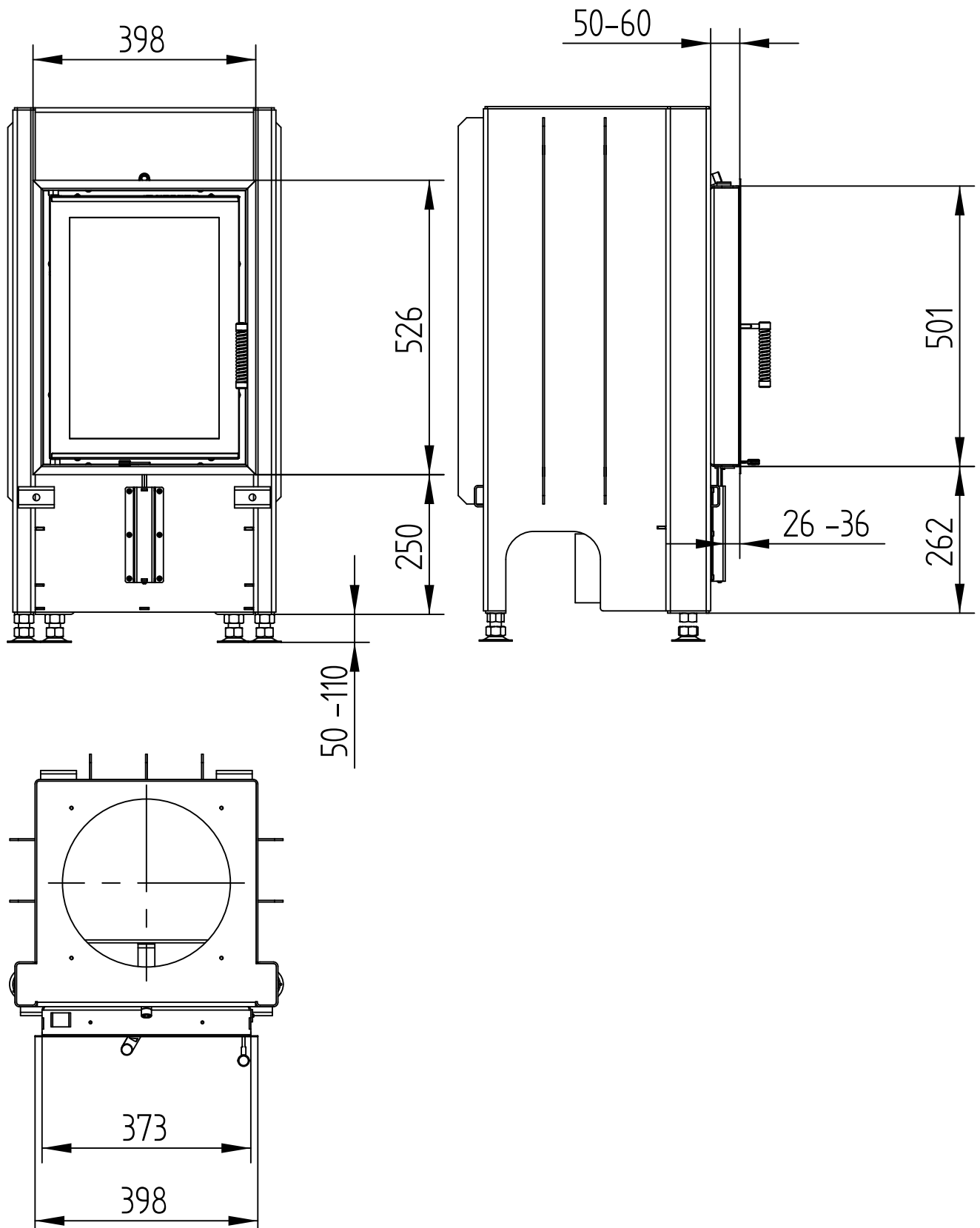


HAKA 37/50

Technical data
Version 08/2015

COVER FRAME 4-SIDED 1 x 90°

M 1 : 10



HAKA 37/50

Technical data
Version 08/2015

COVER FRAME 4-SIDED 2 x 45°

M 1 : 10

