

OPERATION WHEN DIRECTLY CONNECTED TO CHIMNEY	
Tested according to	EN 13229
Nominal heat power	16 kW
Efficiency	> 80 %
Consumption of wood	4,5 kg/h
Mass flow of flue gas	15,8 g/s
<b>Average flue gas temperature</b> on the output	251 °C
<b>Heat distribution</b>	
fireplace insert	57–68 %
door glass (single / double)	43 / 32 %
Required chimney pressure	12 Pa
Required amount of combustion air	45 m <sup>3</sup> /h
Minimum supply air grating cross-section	1 400 cm <sup>2</sup>
Minimum outgoing air grating cross-section	1 700 cm <sup>2</sup>

OPERATION WITH CONNECTED ACCUMULATION MASS	
Load of wood	6 kg
Total heat output of the burning chamber	24 kW
Mass flow of flue gas	20 g/s
<b>Average flue gas temperature</b> on the output <sup>1)</sup> past 3 m of ceramic accumulation system KMS 300 <sup>2)</sup>	403 °C 185 °C
<b>Heat distribution</b>	
fireplace insert	40 %
door glass (single / double)	43 / 32 %
adjoining accumulation mass	17–28 %
Required chimney pressure	12 Pa
Minimum radiant area <sup>3)</sup>	ca 5,5 m <sup>2</sup>
Required amount of combustion air	60 m <sup>3</sup> /h

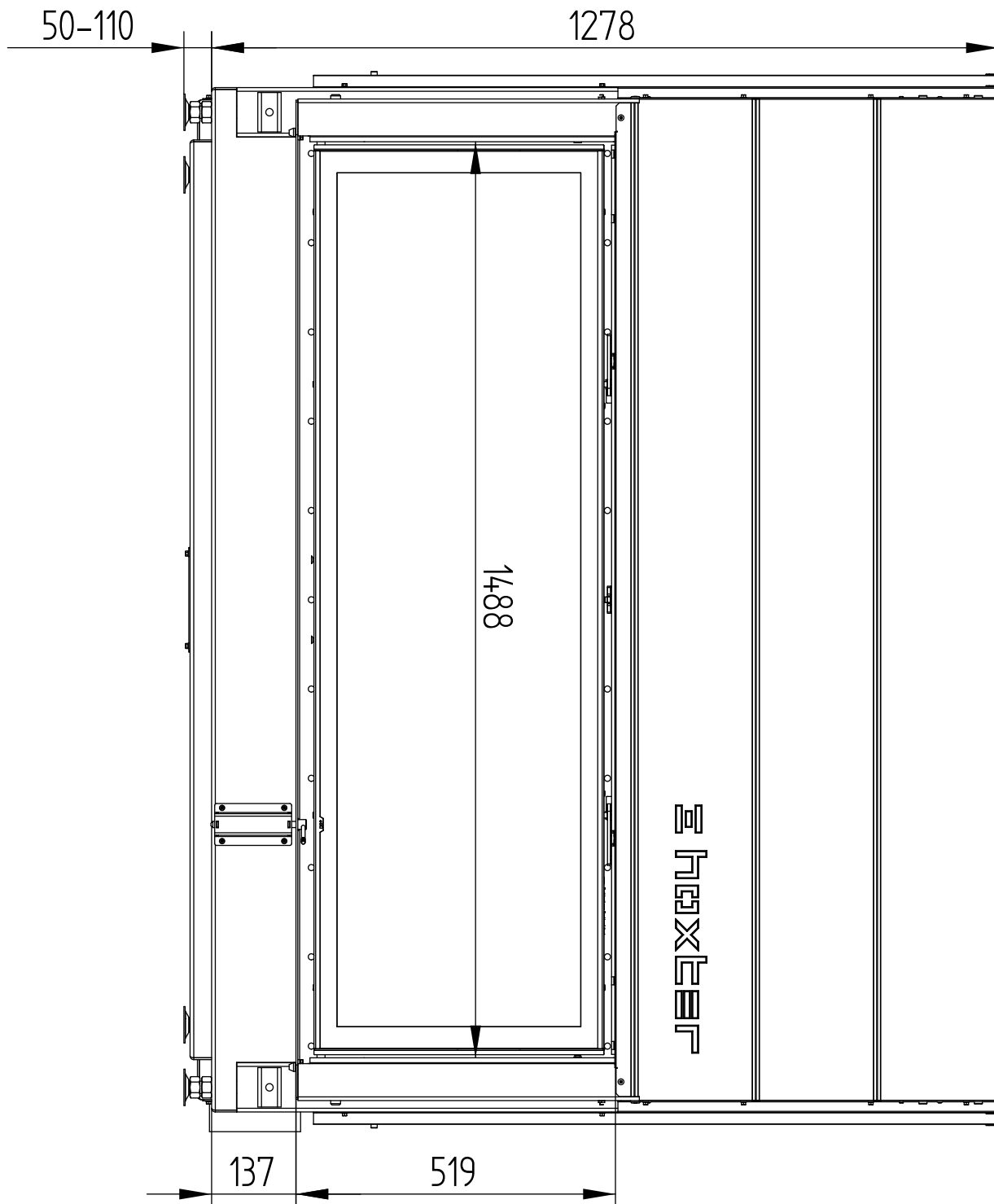
GENERAL TECHNICAL INFORMATION	
Combustion air connection	Ø 150 mm
Total weight / lining weight	ca. 536 / 175 kg
Use in non-ventilated accumulation builds according to craft rules	suitable
Meets values	BlmSchV (Stufe2), 15a BVG

- 1) The Hoxter products are available in the Austrian stove-calculation program for evaluation of firebrick accumulation systems.
- 2) Only a sample calculation! For accurate results is evaluation of each system in the KMS-calculation program from the Ortner company necessary.
- 3) Depends on accumulation period and material characteristics and its thickness. Calculated with heat emission of the radiant area ca. 500 W/m<sup>2</sup>.hr

# HAKA 150/51h

Technical data  
Version 07/2017

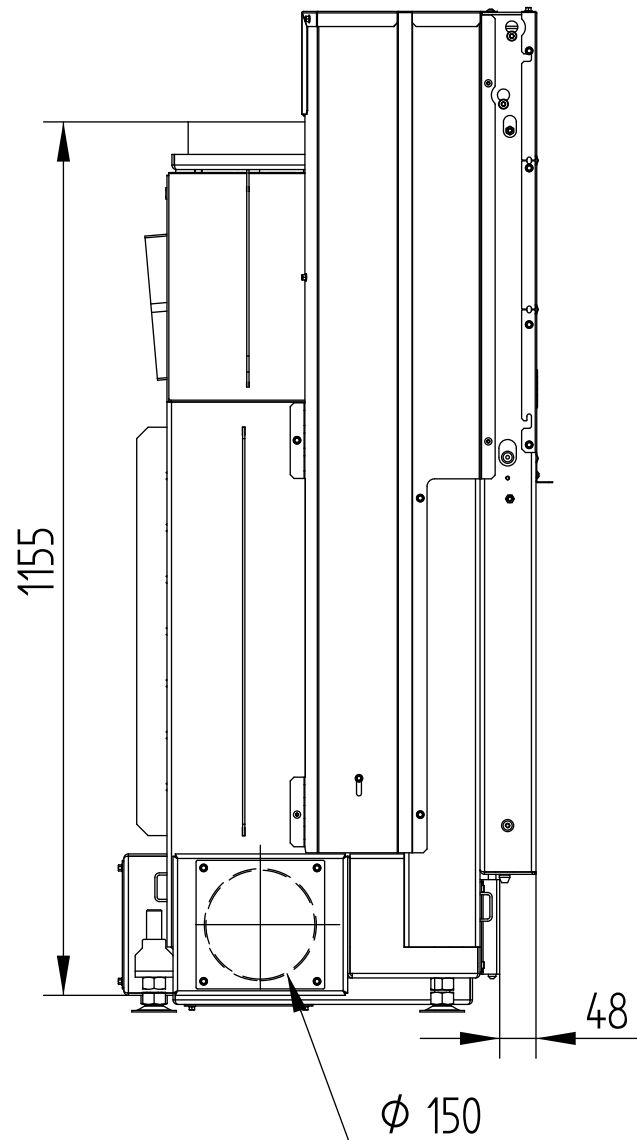
M 1 : 10



# HAKA 150/51h

Technical data  
Version 07/2017

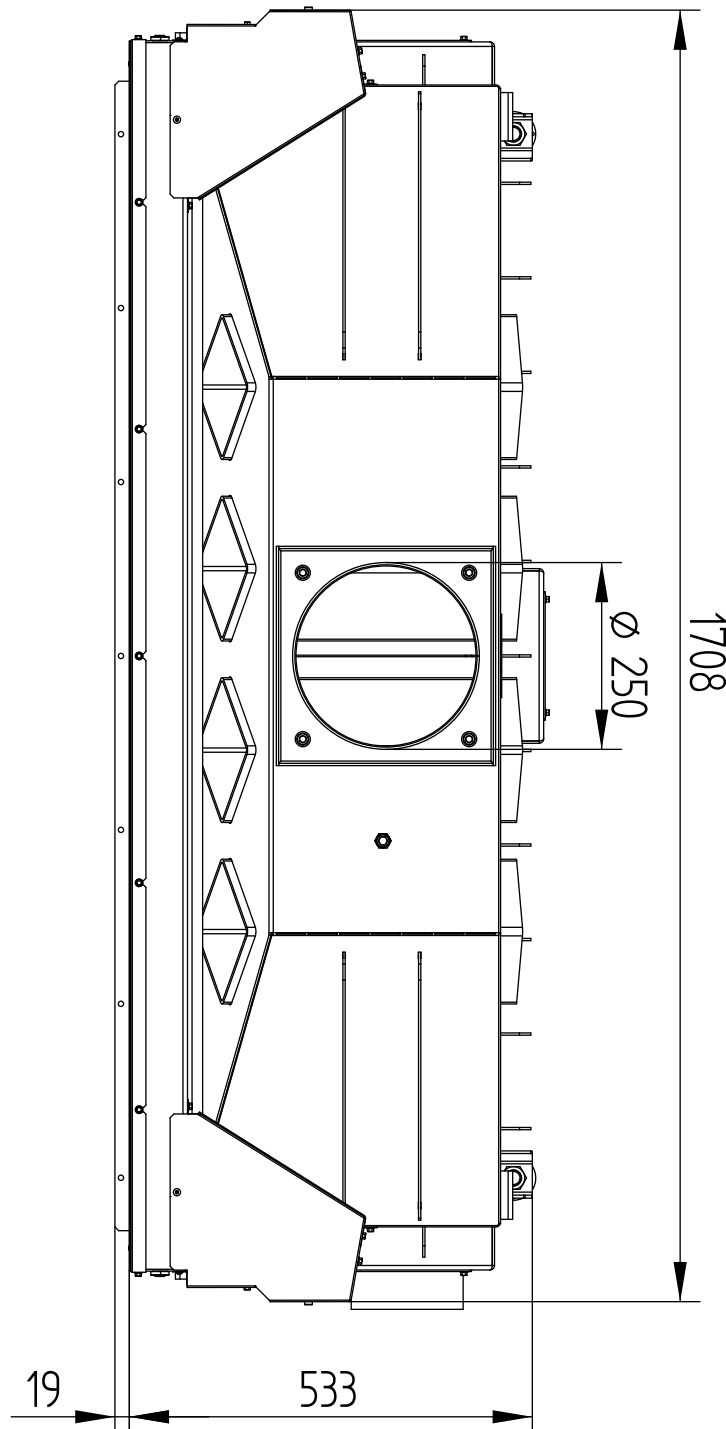
M 1 : 10



# HAKA 150/51h

Technical data  
Version 07/2017

M 1 : 10

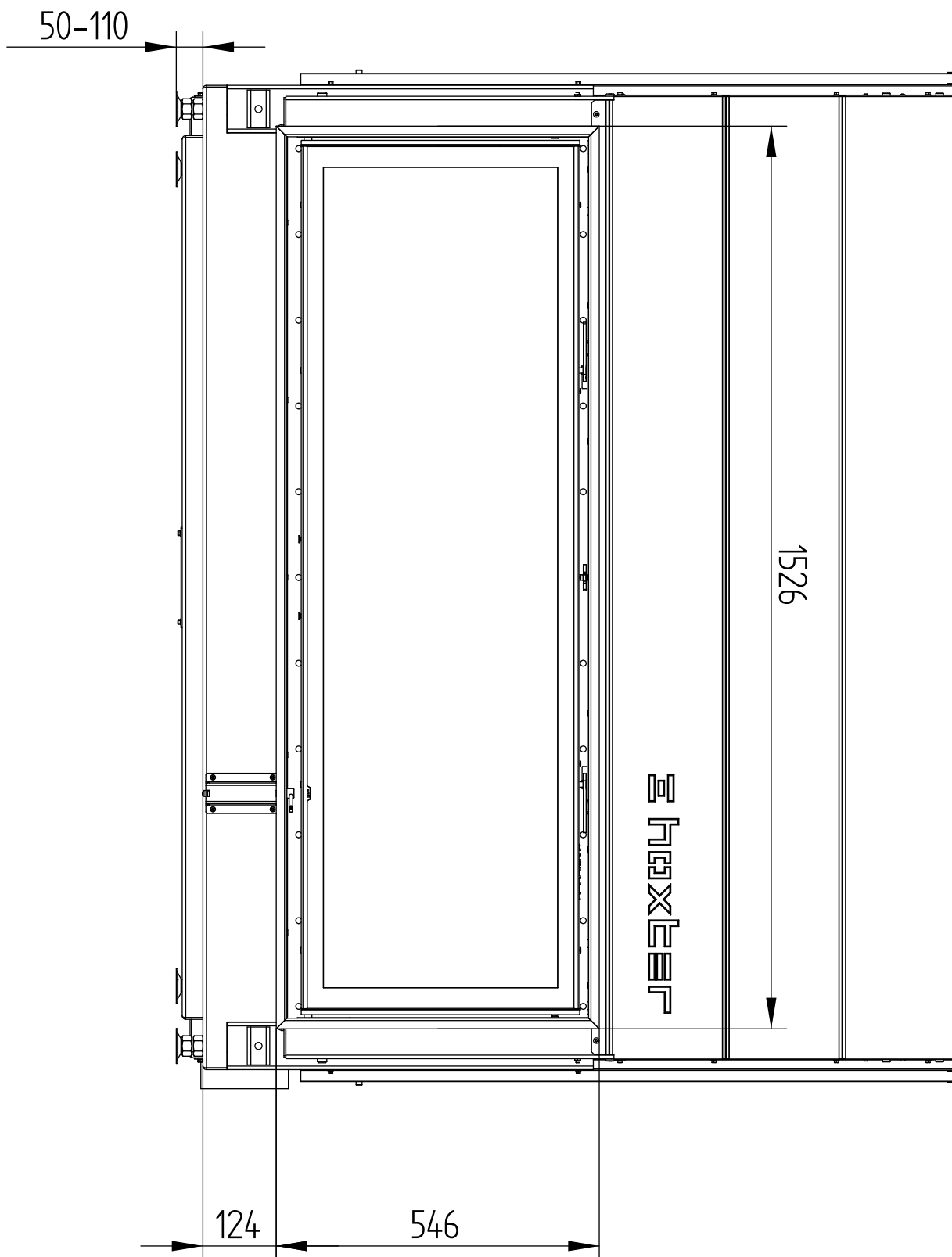


# HAKA 150/51h

Technical data  
Version 07/2017

COVER FRAME 4-SIDED 1 x 90°, 50 mm

M 1 : 10

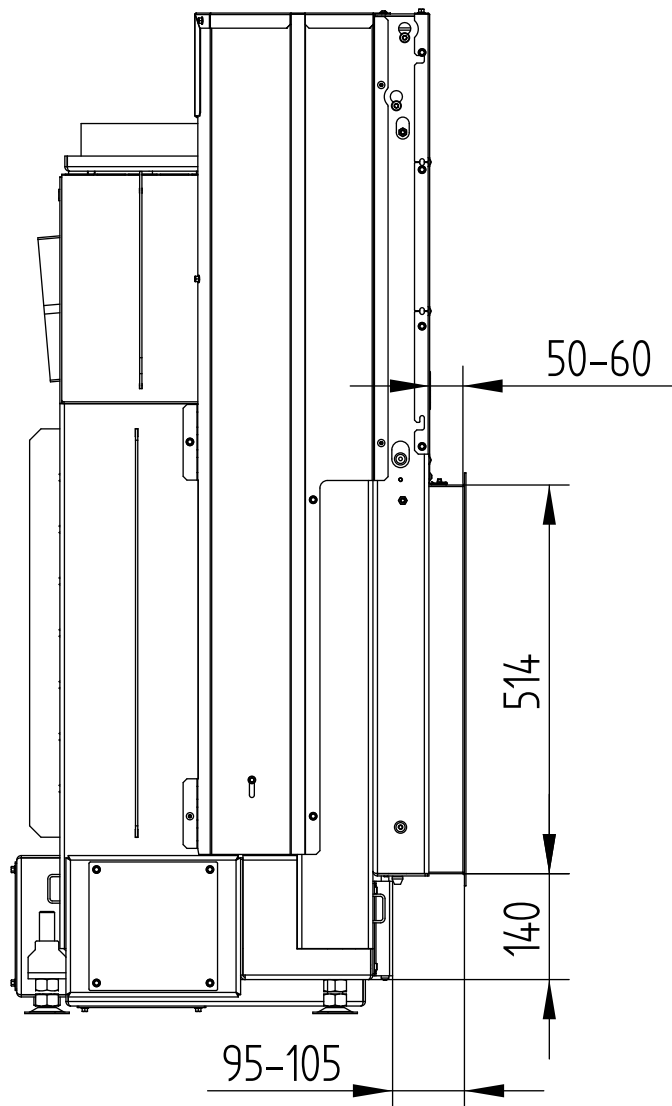


# HAKA 150/51h

Technical data  
Version 07/2017

COVER FRAME 4-SIDED 1 x 90°, 50 mm

M 1 : 10

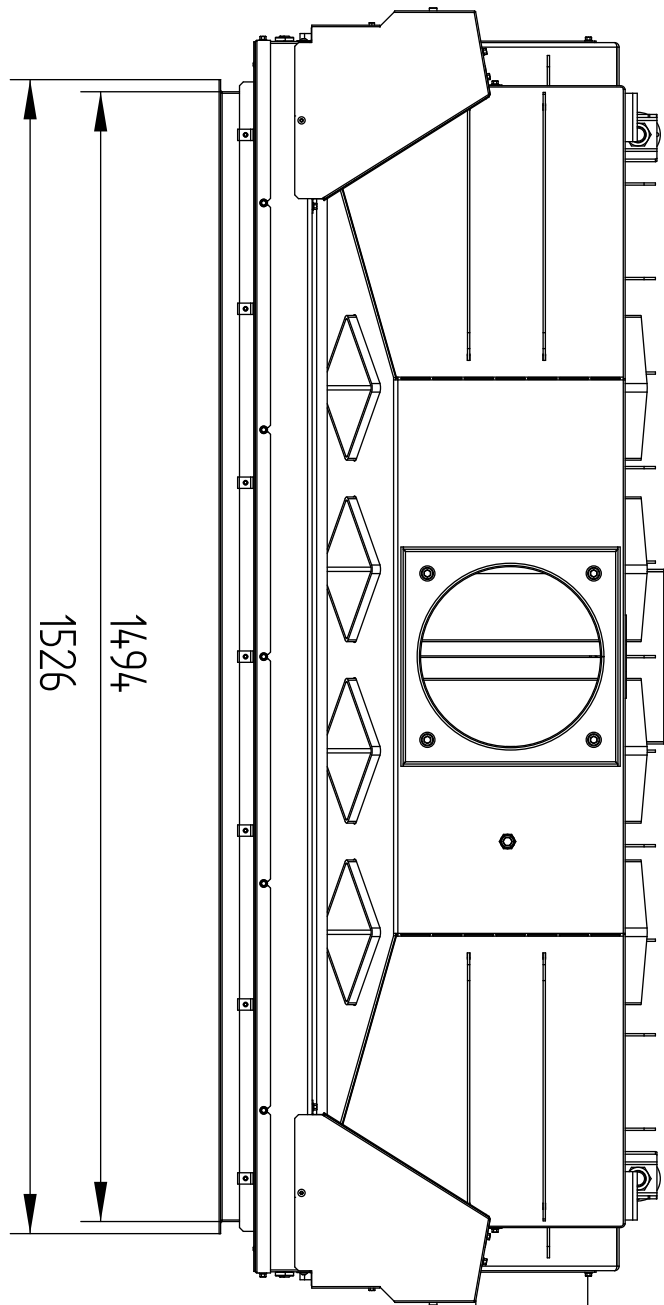


# HAKA 150/51h

Technical data  
Version 07/2017

COVER FRAME 4-SIDED 1 x 90°, 50 mm

M 1 : 10

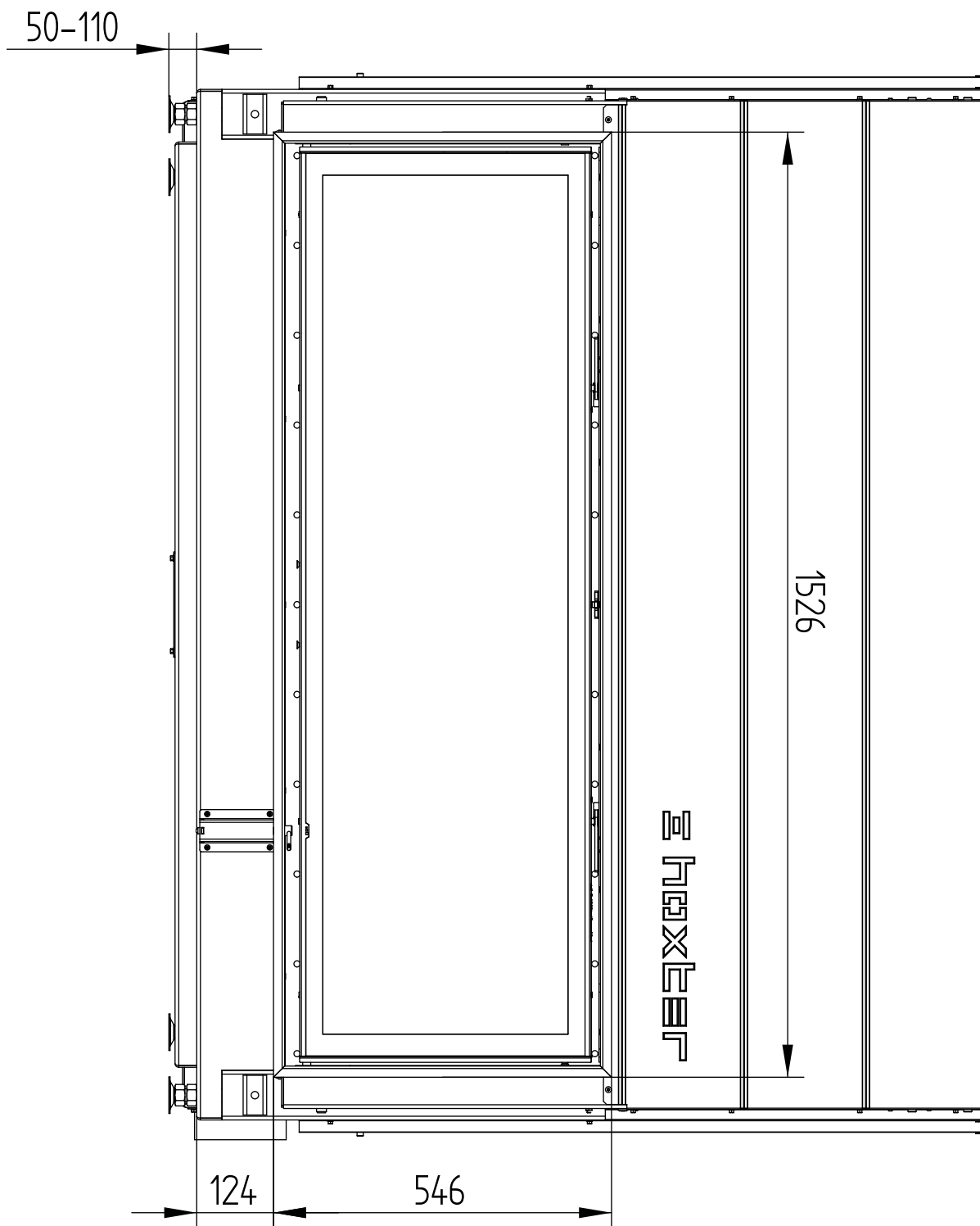


# HAKA 150/51h

Technical data  
Version 07/2017

COVER FRAME 4-SIDED 1 x 90°, 80 mm

M 1 : 10



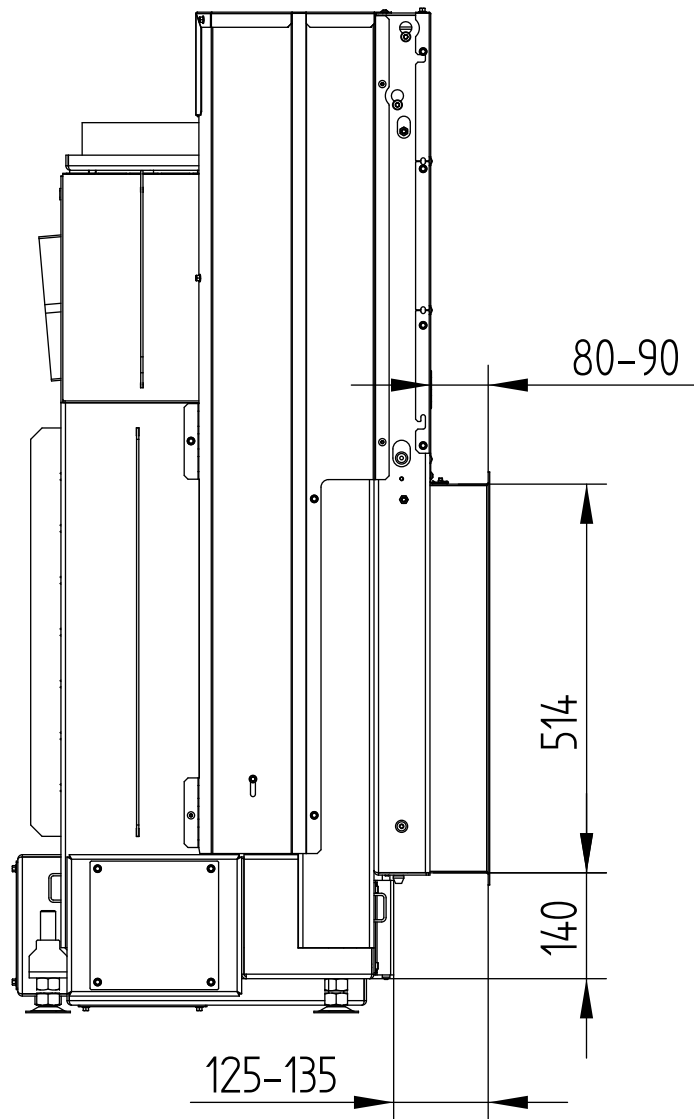


# HAKA 150/51h

Technical data  
Version 07/2017

COVER FRAME 4-SIDED 1 x 90°, 80 mm

M 1 : 10

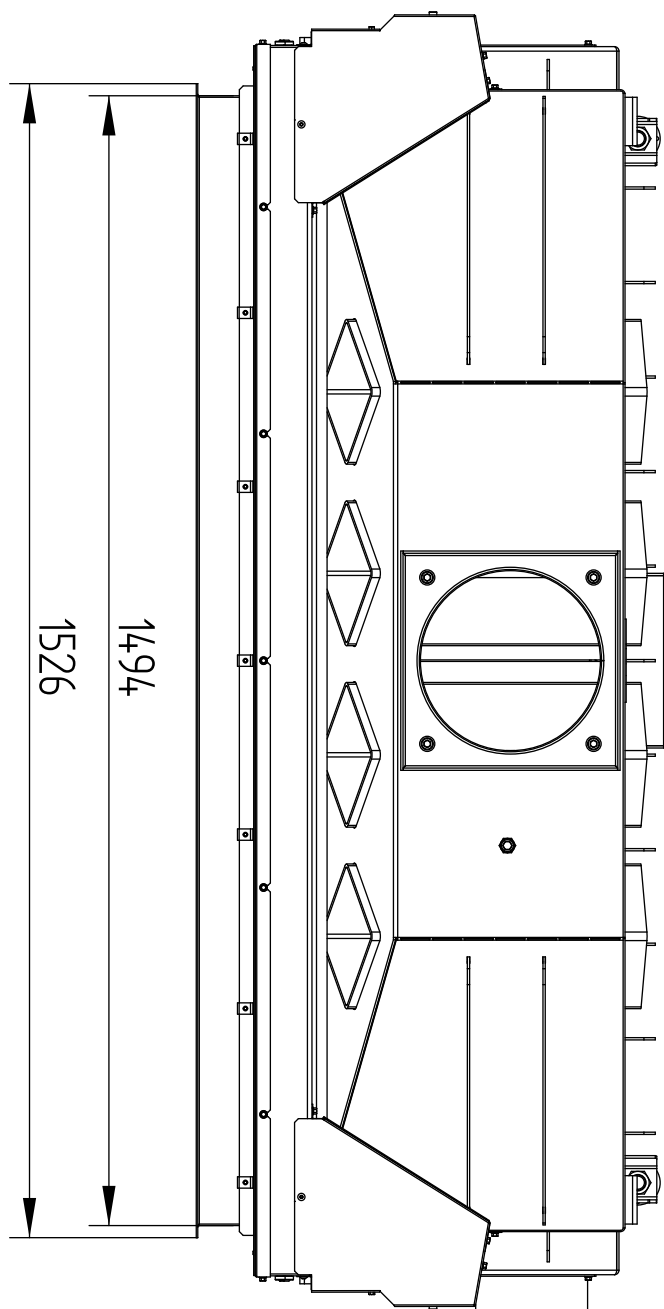


# HAKA 150/51h

Technical data  
Version 07/2017

COVER FRAME 4-SIDED 1 x 90°, 80 mm

M 1 : 10

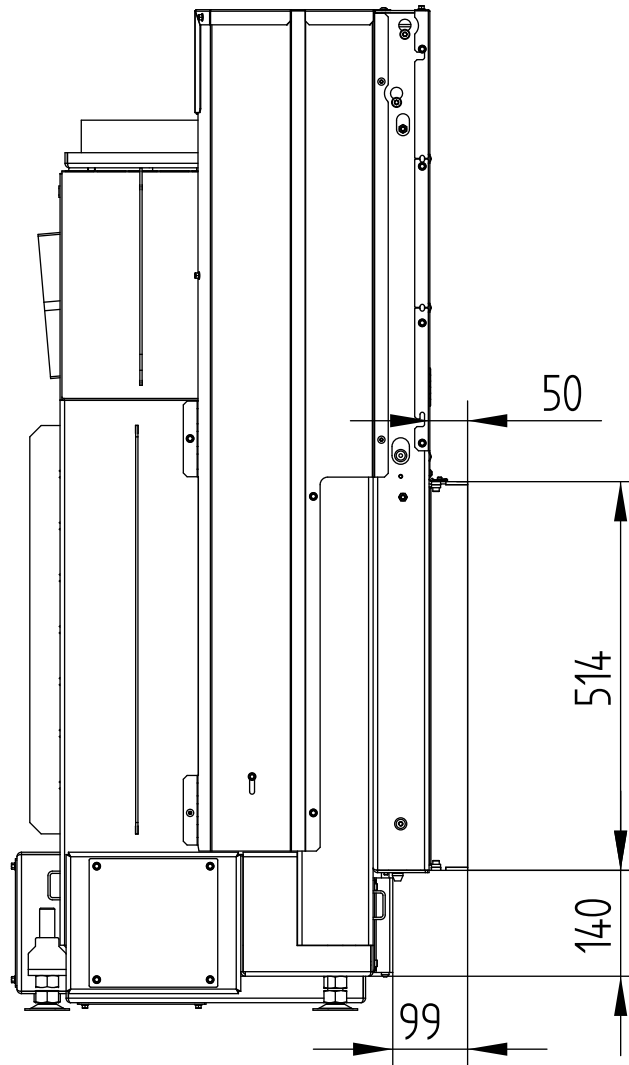


# HAKA 150/51h

BUILD-ON FRAME 4-SIDED, 50 mm

Technical data  
Version 07/2017

M 1 : 10

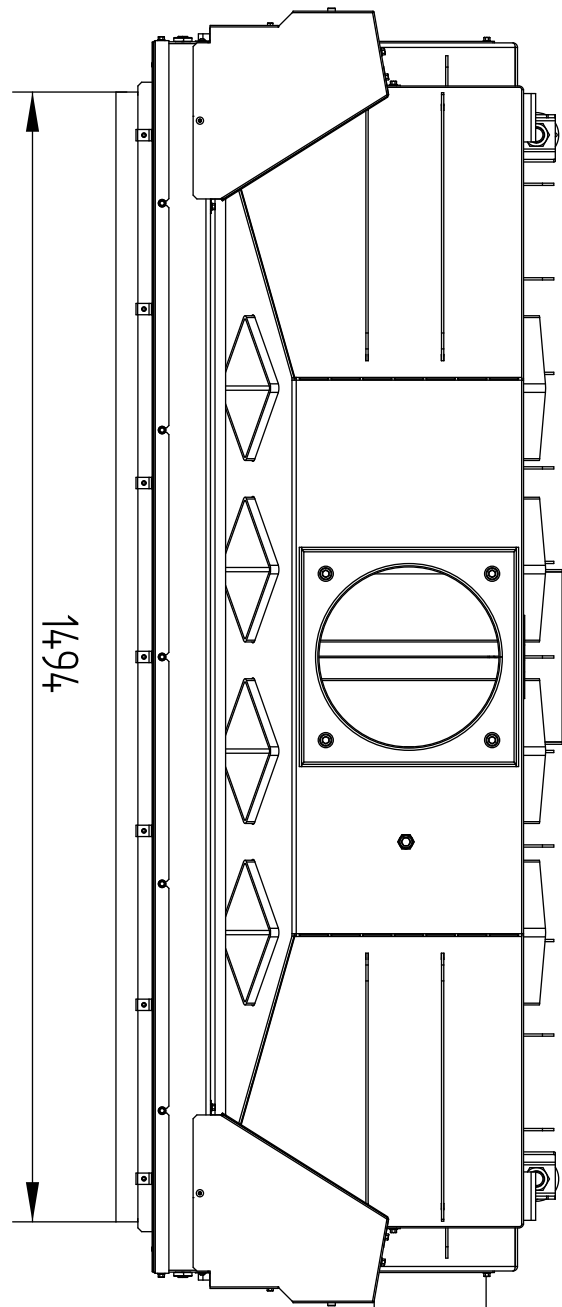


# HAKA 150/51h

BUILD-ON FRAME 4-SIDED, 50 mm

Technical data  
Version 07/2017

M 1 : 10

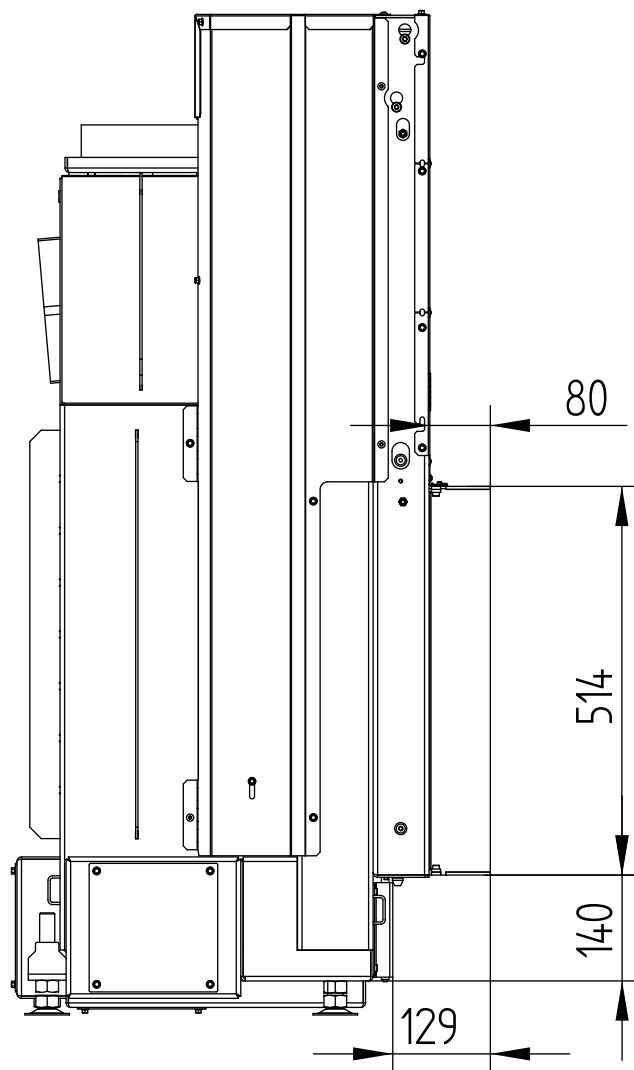


# HAKA 150/51h

BUILD-ON FRAME 4-SIDED, 80 mm

Technical data  
Version 07/2017

M 1 : 10



# HAKA 150/51h

BUILD-ON FRAME 4-SIDED, 80 mm

Technical data  
Version 07/2017

M 1 : 10

