

OPERATION WHEN DIRECTLY CONNECTED TO CHIMNEY	
Tested according to	EN 13229
Nominal heat power	13,5 kW
Efficiency	> 80 %
Consumption of wood	3,8 kg/h
Mass flow of flue gas	11,6 g/s
<b>Average flue gas temperature</b> on the output	302 °C
<b>Heat distribution</b>	
fireplace insert	63–78 %
door glass (single / double)	37 / 22 %
Required chimney pressure	12 Pa
Required amount of combustion air	40 m <sup>3</sup> /h
Minimum supply air grating cross-section	1 200 cm <sup>2</sup>
Minimum outgoing air grating cross-section	1400 cm <sup>2</sup>

OPERATION WITH CONNECTED ACCUMULATION MASS	
Load of wood	5,5 kg
Total heat output of the burning chamber	22 kW
Mass flow of flue gas	20 g/s
<b>Average flue gas temperature</b> on the output <sup>1)</sup> past 3 m of ceramic accumulation system KMS 300 <sup>2)</sup>	376 °C 197 °C
<b>Heat distribution</b>	
fireplace insert	45 %
door glass (single / double)	37 / 22 %
adjoining accumulation mass	18–33 %
Required chimney pressure	12 Pa
Minimum radiant area <sup>3)</sup>	ca. 5 m <sup>2</sup>
Required amount of combustion air	60 m <sup>3</sup> /h

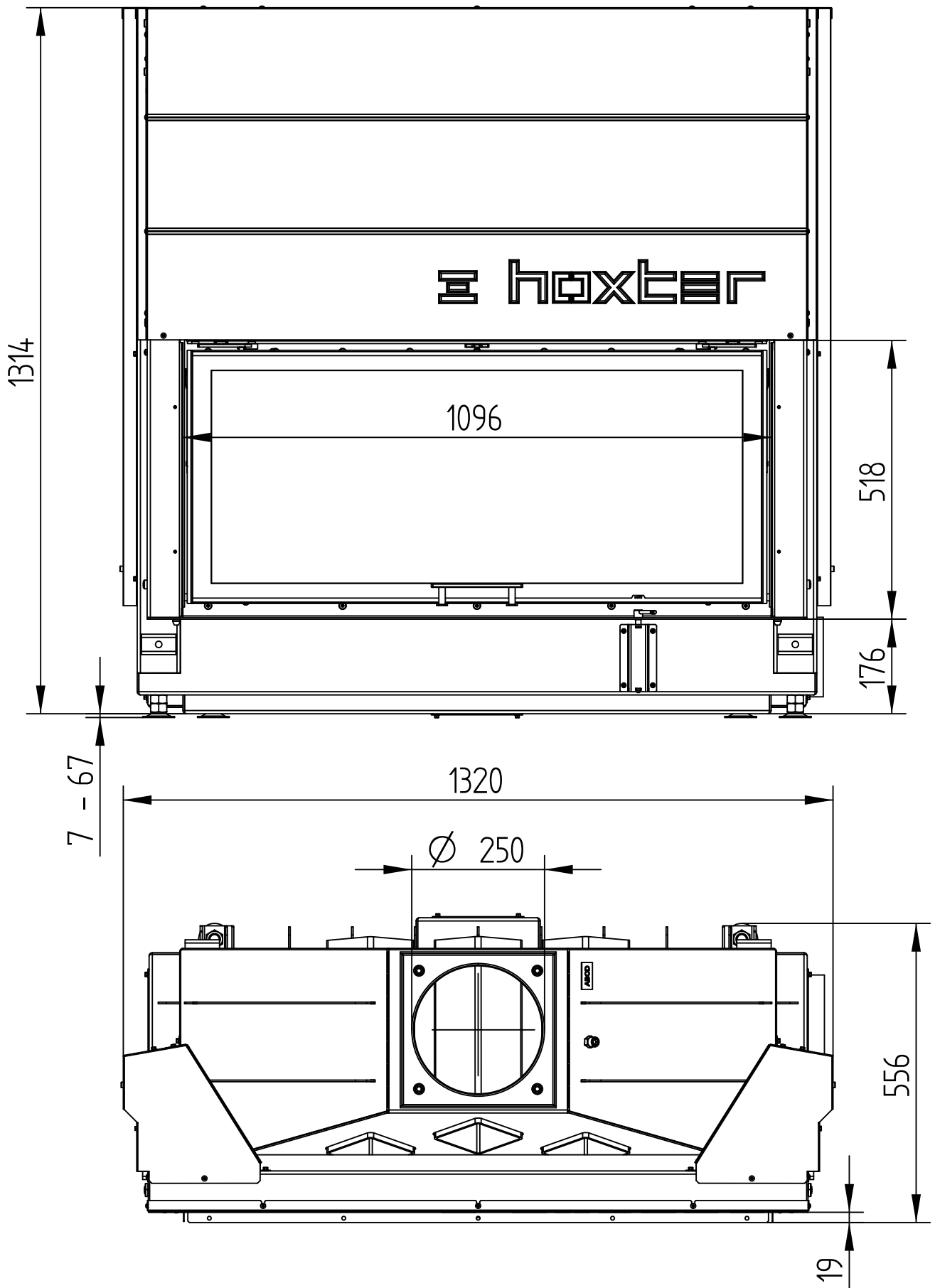
GENERAL TECHNICAL INFORMATION	
Combustion air connection	Ø 150 mm
Total weight / lining weight	ca. 421 / 137 kg
Use in non-ventilated accumulation builds according to craft rules	suitable
Meets values	BlmSchV (Stufe2), 15a BVG

- 1) The Hoxter products are available in the Austrian stove-calculation program for evaluation of firebrick accumulation systems.
- 2) Only a sample calculation! For accurate results is evaluation of each system in the KMS-calculation program from the Ortner company necessary.
- 3) Depends on accumulation period and material characteristics and its thickness. Calculated with heat emission of the radiant area ca. 500 kW/m<sup>2</sup>.hr

# HAKA 110/51h

Technical data  
Version 07/2015

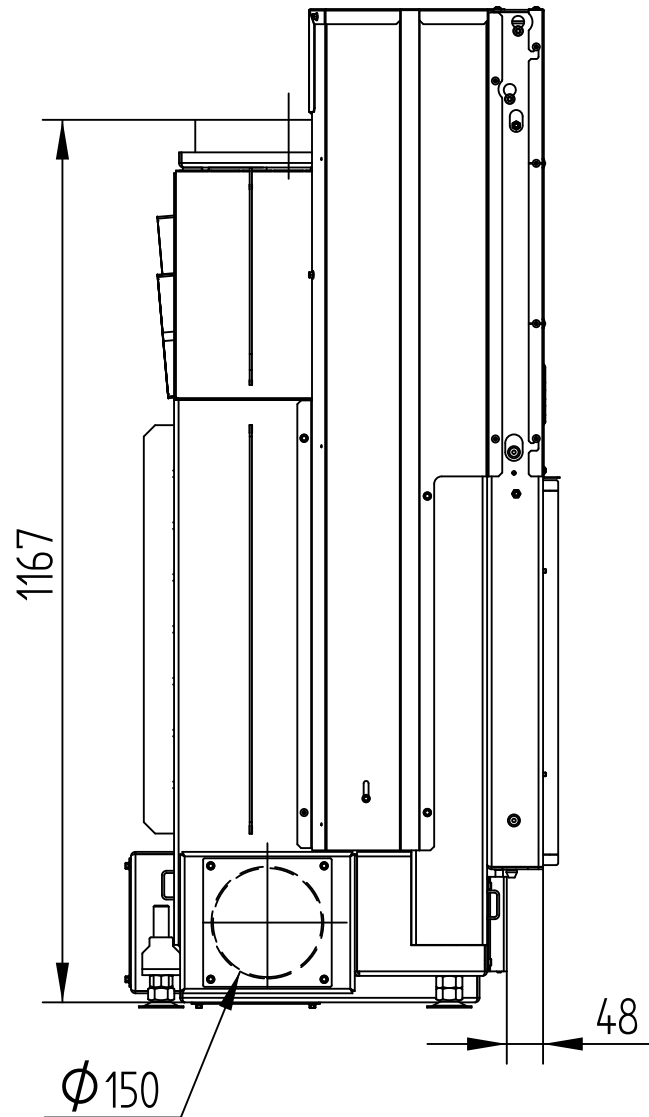
M 1 : 10



# HAKA 110/51h

Technical data  
Version 07/2015

M 1 : 10

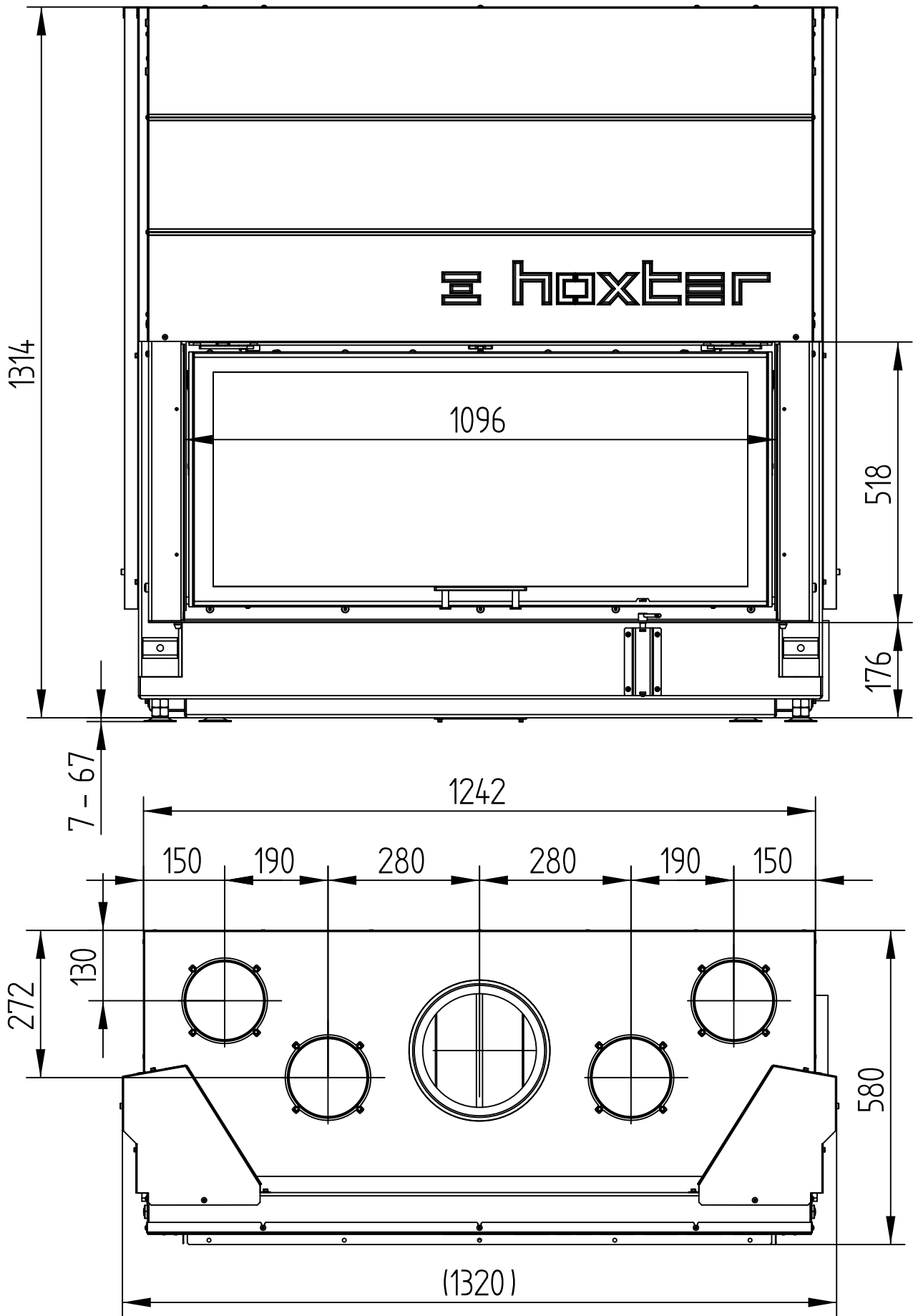


# HAKA 110/51h

Technical data  
Version 07/2015

HOT AIR JACKET

M 1 : 10

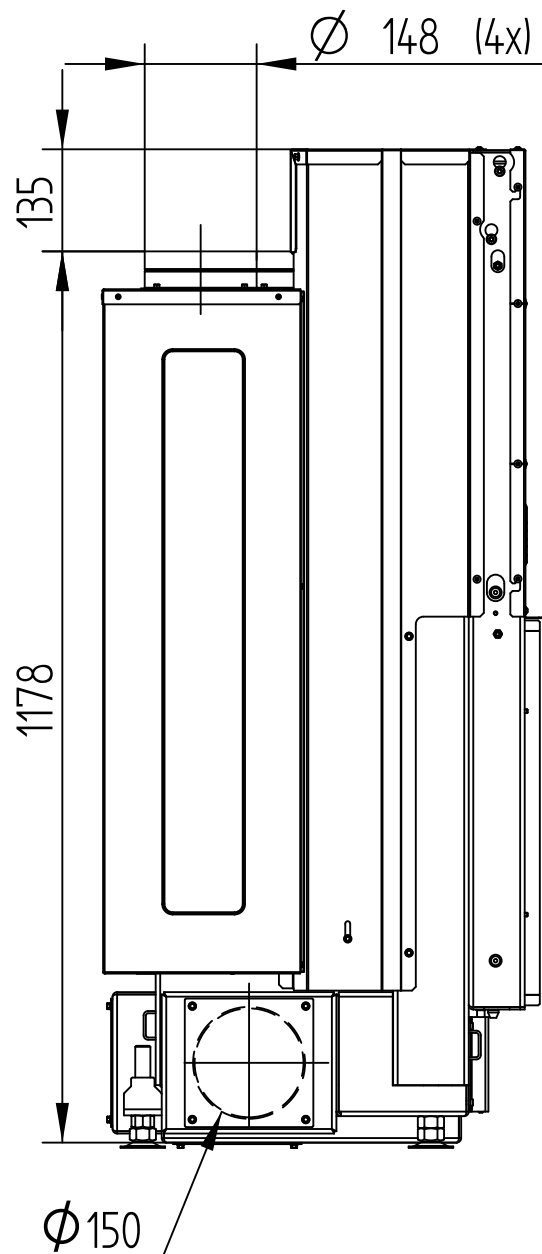


# HAKA 110/51h

HOT AIR JACKET

Technical data  
Version 07/2015

M 1 : 10

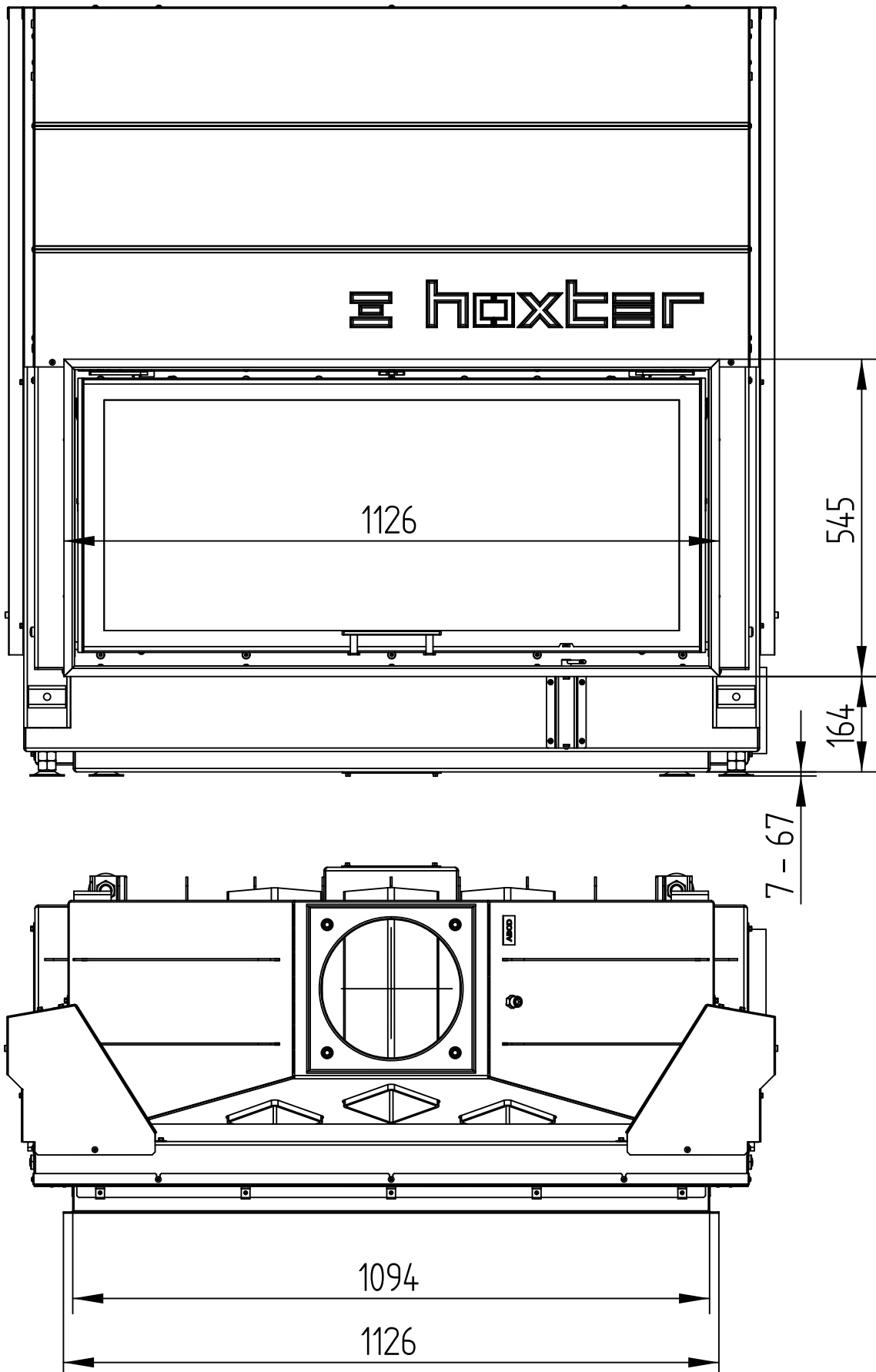


# HAKA 110/51h

Technical data  
Version 07/2015

COVER FRAME 4-SIDED 1 x 90°, 50 mm

M 1 : 10

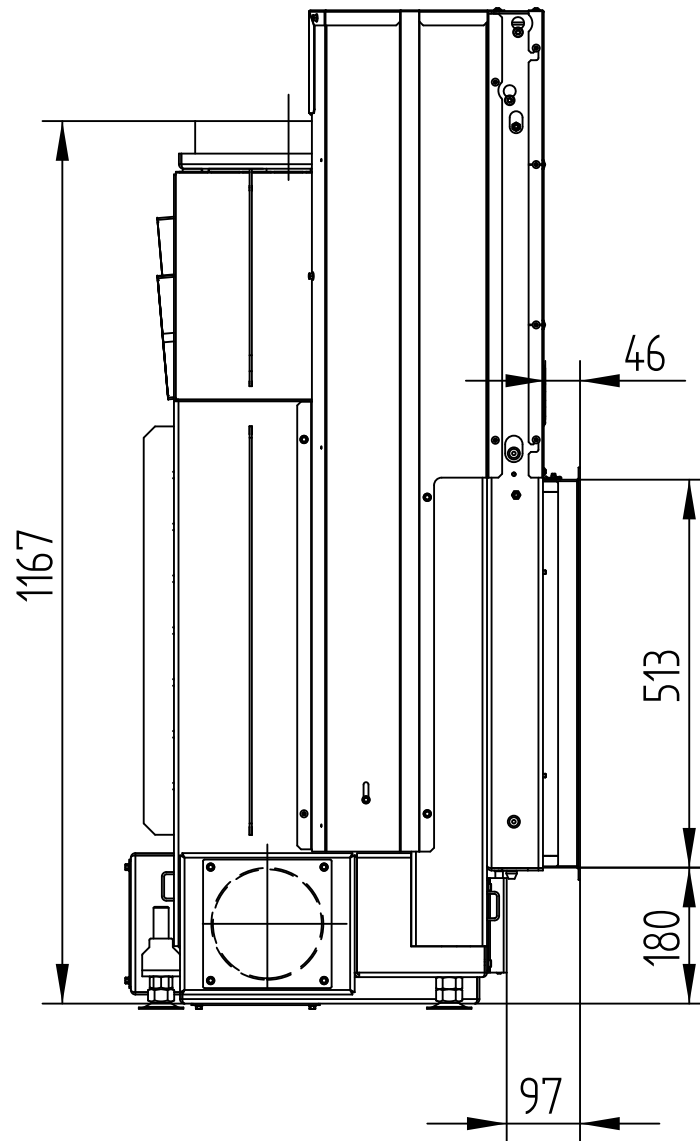


# HAKA 110/51h

Technical data  
Version 07/2015

COVER FRAME 4-SIDED 1 x 90°, 50 mm

M 1 : 10

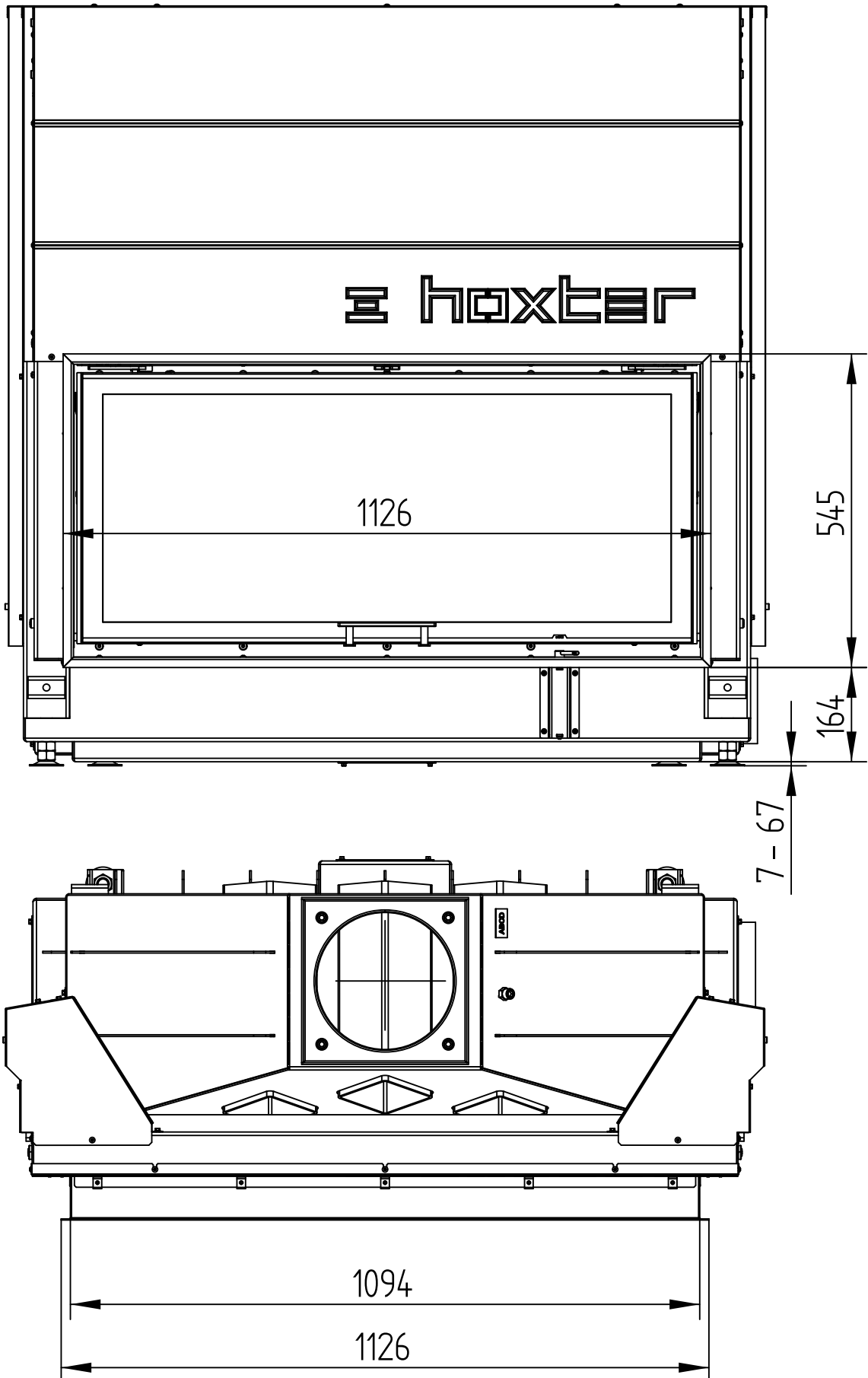


# HAKA 110/51h

Technical data  
Version 07/2015

COVER FRAME 4-SIDED 1 x 90°, 80 mm

M 1 : 10



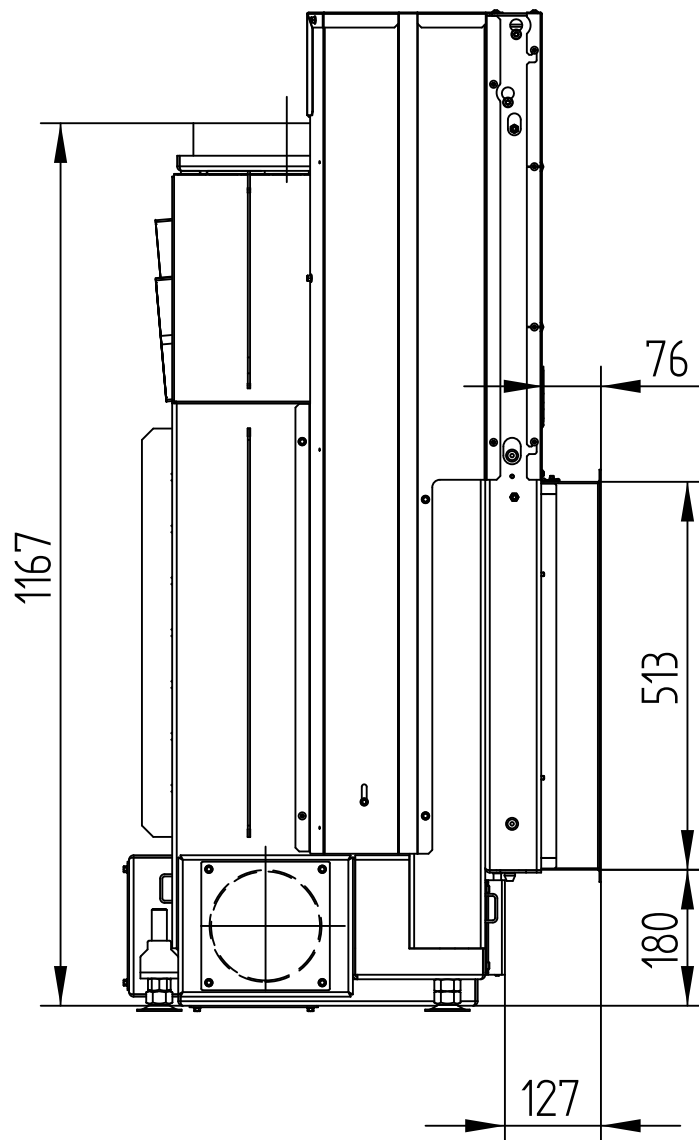


# HAKA 110/51h

Technical data  
Version 07/2015

COVER FRAME 4-SIDED 1 x 90°, 80 mm

M 1 : 10

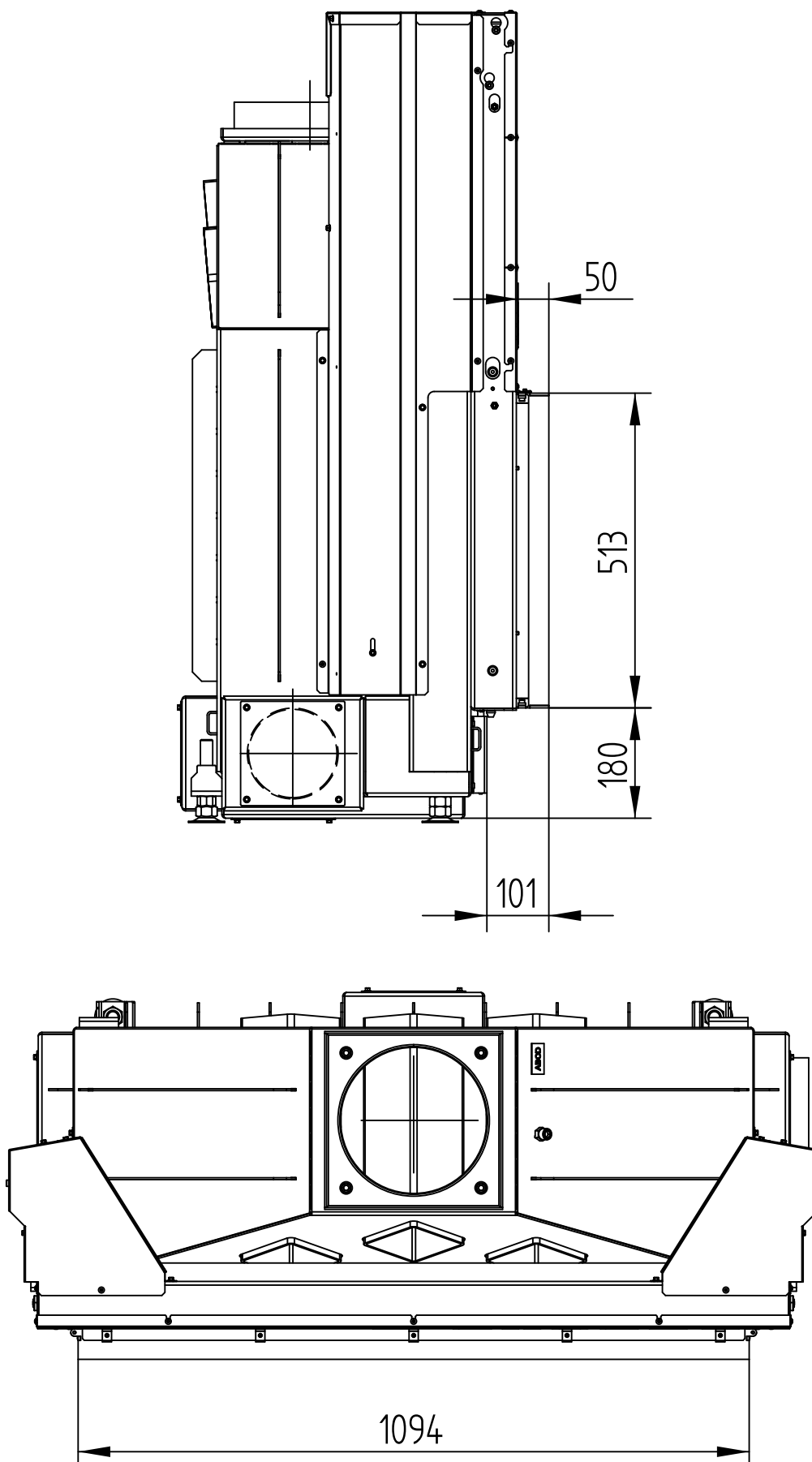


# HAKA 110/51h

Technical data  
Version 07/2015

BUILD-ON FRAME 4-SIDED, 50 mm

M 1 : 10



# HAKA 110/51h

Technical data  
Version 07/2015

BUILD-ON FRAME 4-SIDED, 80 mm

M 1 : 10

