

ECKA 70/40/38L left

Technical data

Version 2019/08

	operation when directly connected to chimney		operation when connected accumulation mass	
	cupola	hot air exchanger	cupola	adaptor
Energy label	A+	A+	A+	A+
Operating data				
Nominal heat power	7 kW	11 kW	----	----
Efficiency	> 80 %	> 80 %	----	----
Consumption of wood	2,1 kg/h	3,2 kg/h	6 kg	5,1 kg
Total heat output of the burning chamber	----	----	24 kW	18 kW
Mass flow of flue gas	7,3 g/s	7,3 g/s	20 g/s	13,3 g/s
Required chimney pressure	12 Pa	12 Pa	12 Pa	15 Pa
Required amount of combustion air	30 m ³ /h	40 m ³ /h	60 m ³ /h	60 m ³ /h
Average flue gas temperature				
on the output	230 °C	230 °C	408 °C	370 °C
past 3,4 m of ceramic accumulation system KMS 300 ¹	----	----	205 °C	----
past accumulation rings (5x acc. ring Ø440mm)	----	----	----	196 °C
Heat distribution				
fireplace insert	62–74 %	62–74 %	37 %	33 %
door glass (single / double)	38 / 26 %	38 / 26 %	38 / 26 %	38 / 26 %
adjoining accumulation mass	----	----	25–37 %	29–41 %
Information for ventilated builds				
Minimal grill area supply / outgoing	700 / 850 cm ²	950 / 1150 cm ²	950 / 1150 cm ²	950 / 1150 cm ²
Minimum distance from insulated areas / floor	80 / 0 mm		80 / 0 mm	
Reference insulation ² ceiling / back wall / side wall / floor	120 / 80 / 80 / 0 mm		120 / 80 / 80 / 0 mm	
Calciumsilicate insulation ³ ceiling / back wall / side wall / floor	90 / 60 / 60 / 0 mm		90 / 60 / 60 / 0 mm	
Information for non-ventilated builds (closed grills)				
Minimum radiant area ⁴	4,5 m ²		4,5 m ²	
Minimum distance from insulated areas / floor	80 / 20 mm		80 / 20 mm	
Reference insulation ² ceiling / back wall / side wall / floor	160 / 100 / 100 / 20 mm		160 / 100 / 100 / 20 mm	
Calciumsilicate insulation ³ ceiling / back wall / side wall / floor	120 / 75 / 75 / 20 mm		120 / 75 / 75 / 20 mm	
General technical information				
Total weight / lining weight	ca. 213 / 70 kg		ca. 213 / 70 kg	
Burning chamber dimensions (width x depth)	540 x 305 mm			
Combustion air connection	Ø 150 mm			
Use in non-ventilated accumulation builds according to craft rules	suitable			
Tested according to	EN 13229			
Meets values	1. BlmSchV (Stufe2), 15a BVG			

1 Listed value from testing. For accurate results is evaluation of each system in the Ortnr / KOV program necessary.

2 Mineral wool according to AGI-Q 132

3 Example SkamoEnclousure Board 225 kg/m³

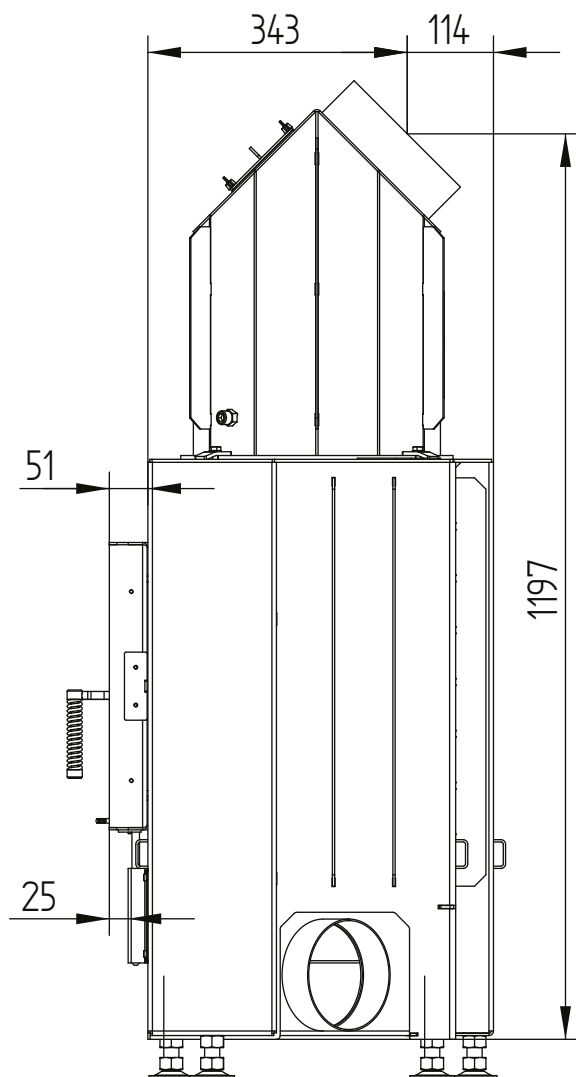
4 Depends on accumulation period and material characteristics. Listed values calculated with chamotte stone thickness 30 mm with radiant area 500 W/m²

ECKA 70/40/38L left

Technical data
Version 2019/08

side opening hot air exchanger 45°

M 1:10

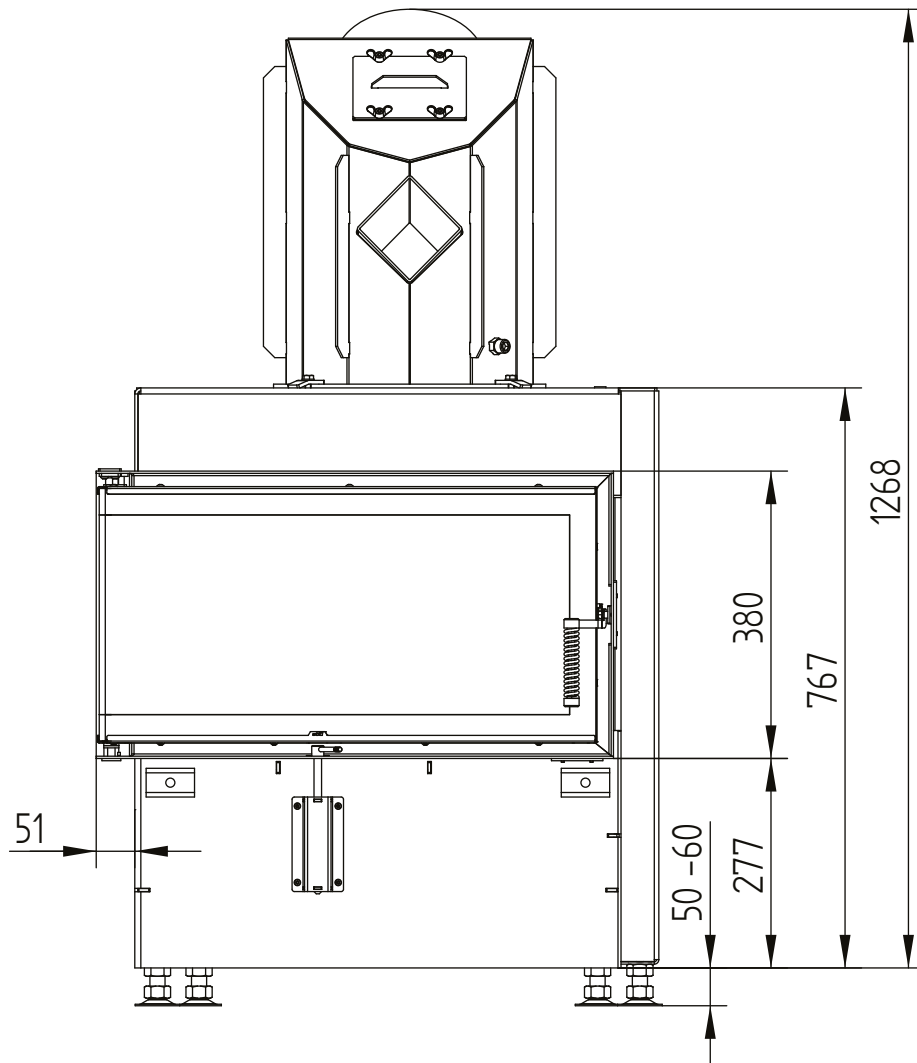


ECKA 70/40/38L left

Technical data
Version 2019/08

side opening hot air exchanger 45°

M 1:10

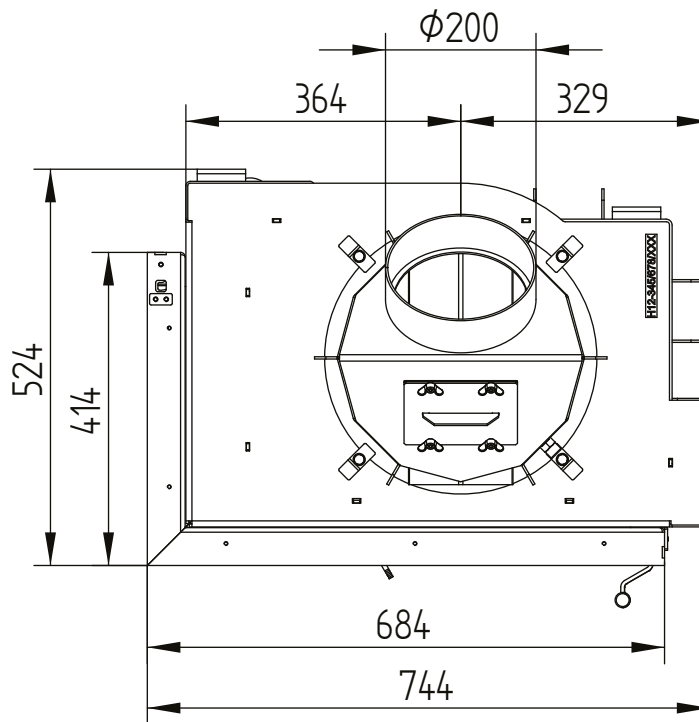


ECKA 70/40/38L left

Technical data
Version 2019/08

side opening hot air exchanger 45°

M 1:10

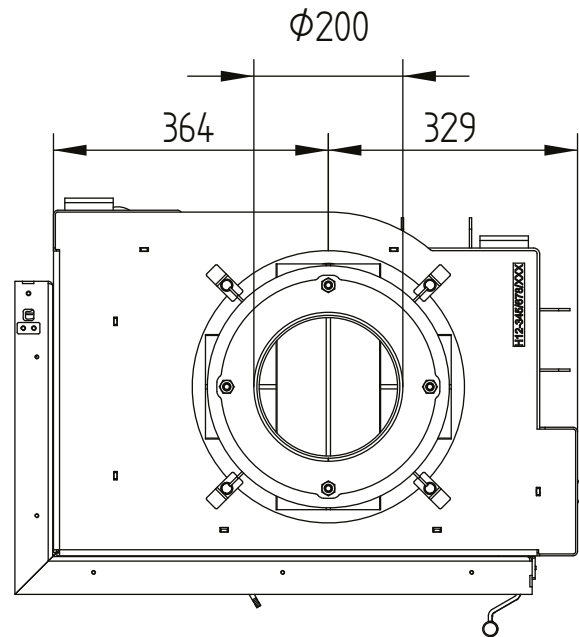
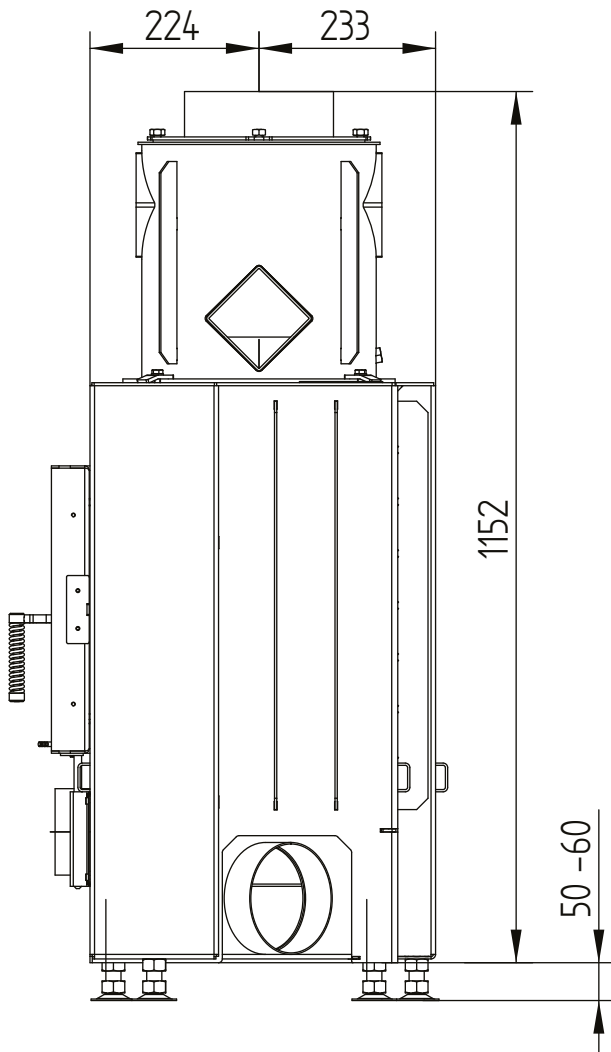


ECKA 70/40/38L left

Technical data
Version 2019/08

side opening hot air exchanger vertical

M 1:10

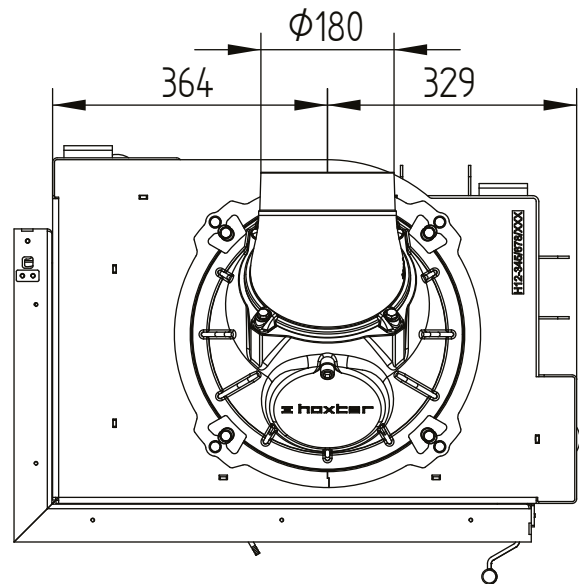
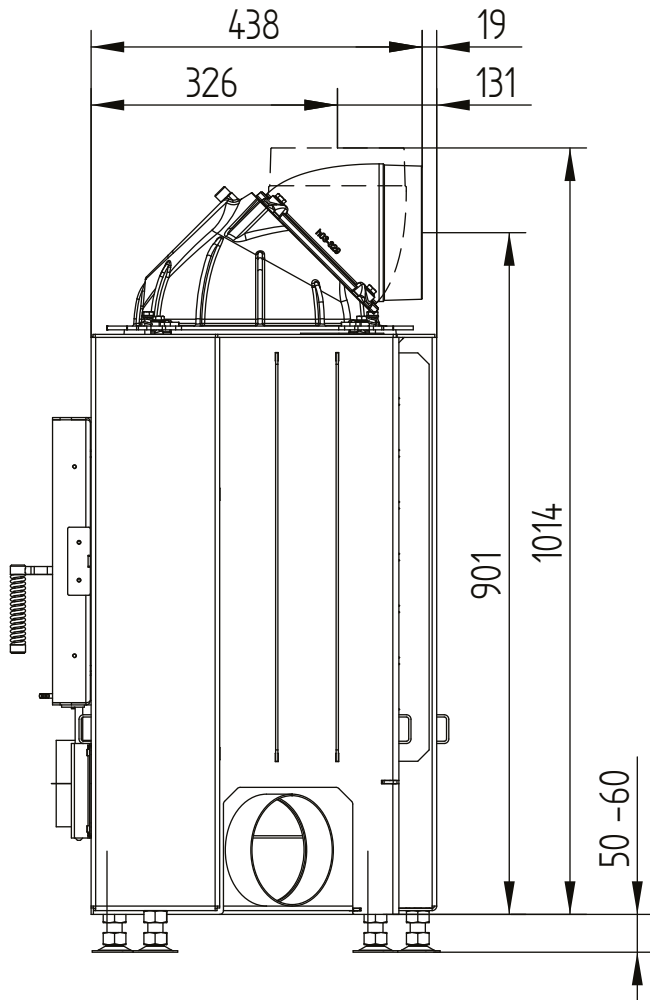


ECKA 70/40/38L left

Technical data
Version 2019/08

side opening cupola

M 1:10

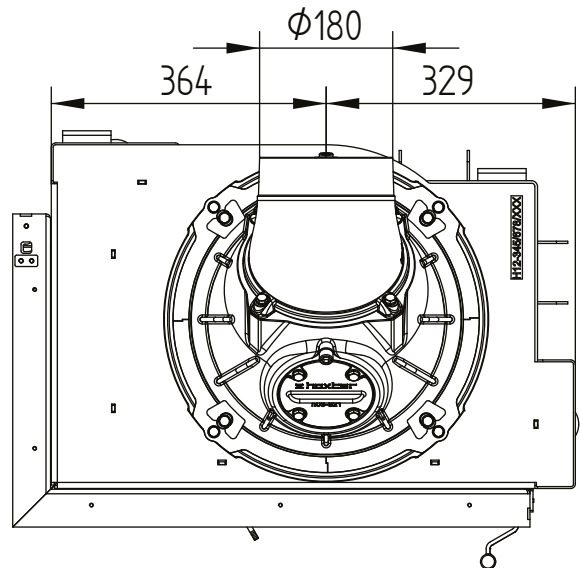
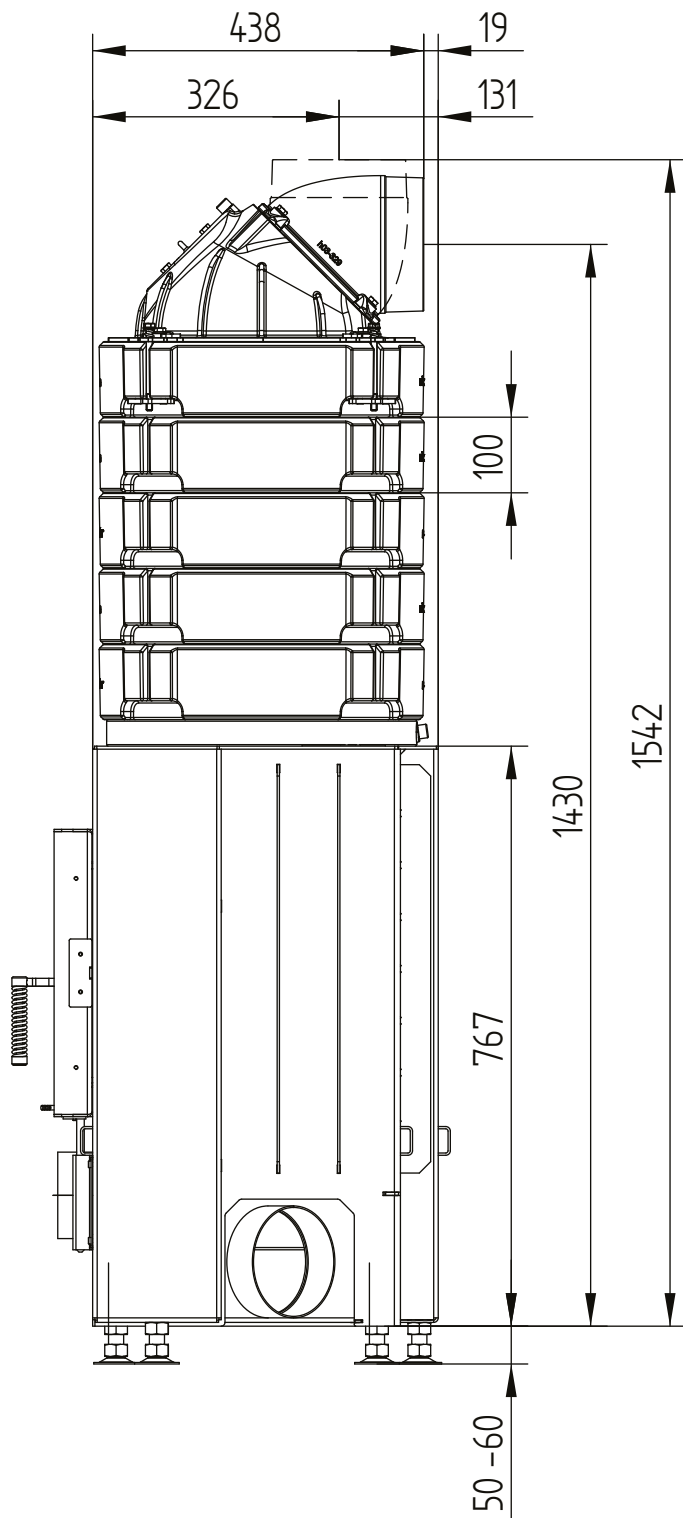


ECKA 70/40/38L left

Technical data
Version 2019/08

side opening accumulation rings

M 1:10

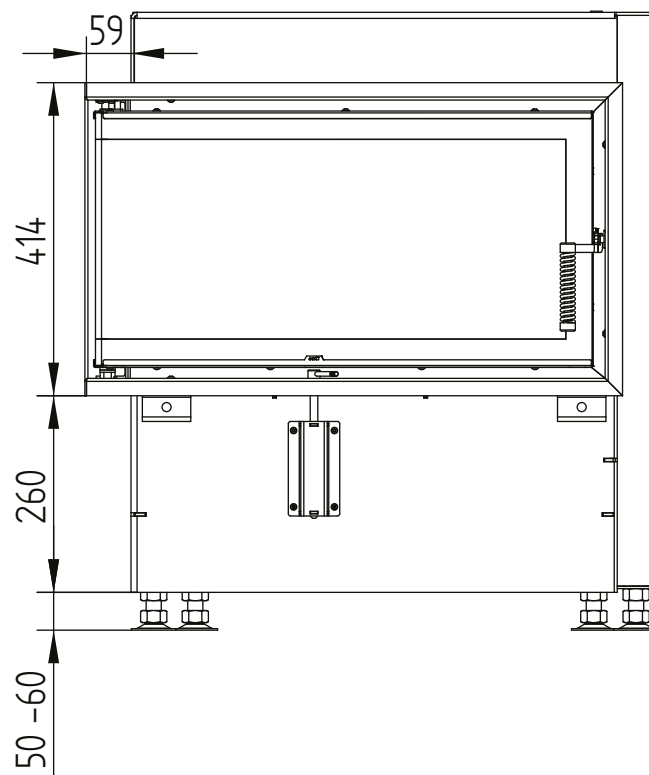
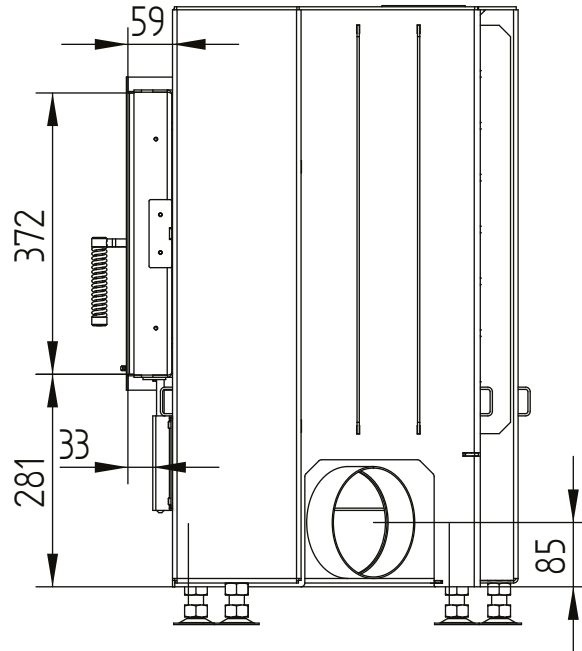


ECKA 70/40/38L left

Technical data
Version 2019/08

cover frame 70/40/38 left-right side opening 6sides 60 mm 1 x 90° / air connection

M 1:10

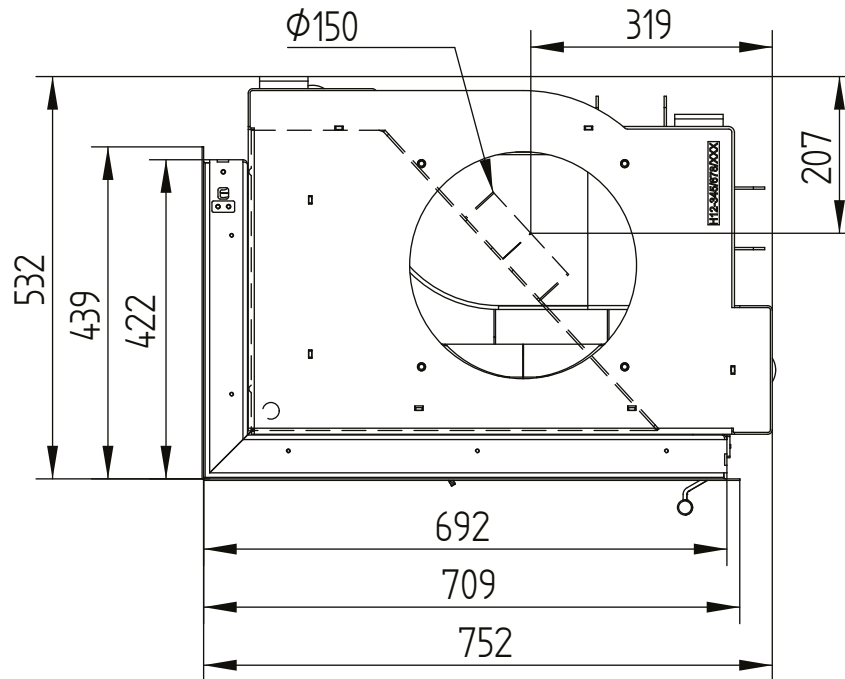


ECKA 70/40/38L left

Technical data
Version 2019/08

cover frame 70/40/38 left-right side opening 6sides 60 mm 1 x 90° / air connection

M 1:10



ECKA 70/40/38L left

Technical data
Version 2019/08

build-on frame 70/40/38 left side opening 6sides 80 mm / feet

M 1:10

