

Jøtul FS 74

Jøtul FS 74
Manual version Po3

NO - Monteringsanvisning	5
SE - Monteringsanvisning	16
FI - Asennus- ja käyttöohje	26
GB - Installation Instructions	36



Jøtul FS 74



Monterings- og bruksanvisningen må oppbevares under hele produktets levetid. Manualen skal oppbevares under hele produktets levetid. Manualen skall sparas under hela produktens levtid. These instructions must be kept for future references.

ENGLISH

Table of contents

Installation manual with technical data

- 1.0 Relationship to the authorities 36
- 2.0 Technical data for the burnchamber 36
- 3.0 Safety 38
- 4.0 Installation 39
- 5.0 Installation completed 45
- 6.0 Optional extras 45
- 7.0 Recycling 46
- 8.0 Warranty 46

1.0 Relationship to the authorities

The Jøtul FS 74 is a freestanding product using the Jøtul I 520 as the burn chamber, and can be positioned against combustible walls at the distances described in Fig. 1.

The installation of a fireplace must be carried out in compliance with national laws and regulations. All local ordinances must also be complied with when products are installed.

Contact your local building authorities regarding restrictions and installation requirements.

The product may not be used until it has been inspected and approved by qualified personnel.

The product has been tested and documented as a freestanding stove in accordance with EN 13240.

The approval label for the freestanding product comes with the installation instructions for the surround. Cut off the label and attach it beneath the top plate of the log store.

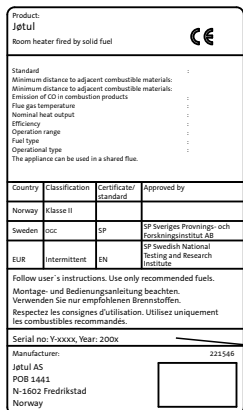
2.0 Technical data for the burnchamber

Material:	Cast iron
Finish:	Black paint
Type of fuel:	Wood
Max. log length:	50 cm
Smoke outlet:	Top outlet or 45° rotated position for rear outlet.
Flue pipe dimension:	Ø 150 mm
Weight approx.:	110 kg + 261 kg
Optional extras:	Floor plate, Adapter for outside air connection and Kit for Ø 80 fresh air intake tube.
Product dimensions, clearances	See Fig. 1

Technical data in accordance with EN 13240

Nominal heat output:	7 kW
Efficiency:	77%
CO emissions (13% O ₂):	0.07%
CO emissions (13% O ₂):	884 mg/Nm ³
OGC emissions (13% O ₂):	60 mg/Nm ³
Dust emissions (13% O ₂):	14 mg/Nm ³
Flue gas temperature:	305°C
Flue gas flow rate:	7.1 g/s
Chimney draught, EN 13229:	12 Pa
Recommended draught with smoke outlet:	16-18 Pa
Fuel consumption:	2.3 kg/h
Kindling quantity:	nominal 1.7 kg
Max. kindling:	3.4 kg each time and 3.8 kg/h
Operation:	Intermittent

Intermittent operation means normal use of a fireplace. This means that to refuel the fire, you add more wood as soon as the previous load of wood has burned down to embers.



On all our products there is a label indicating the serial number and year. Write this number in the place indicated in the installation instructions.

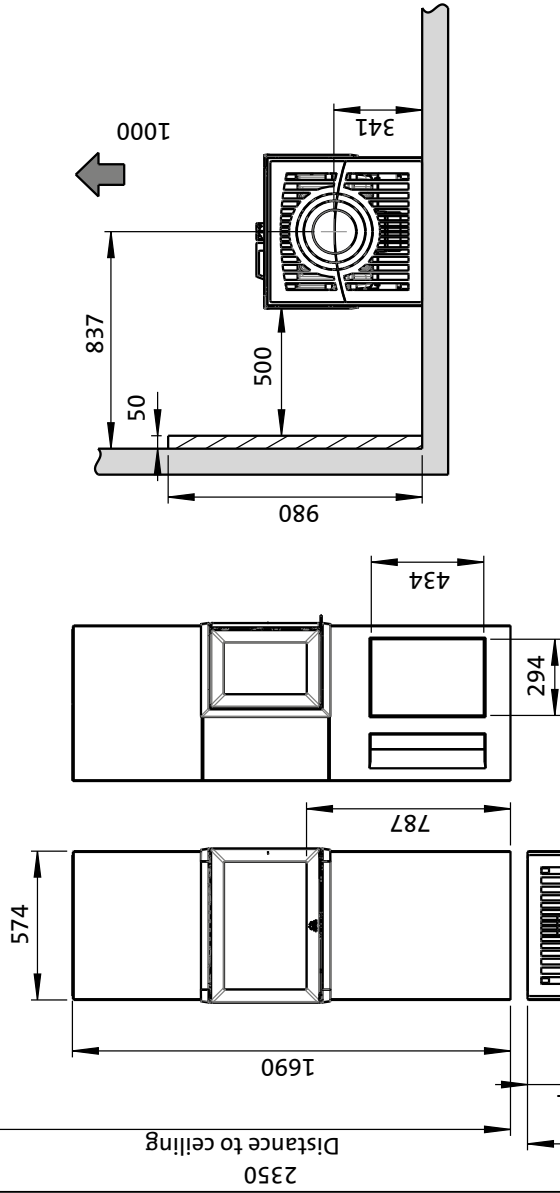
Always quote this serial number when contacting your retailer or Jøtul.

Serial no.

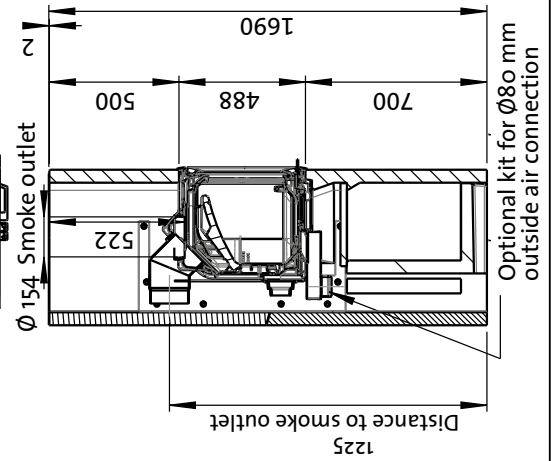
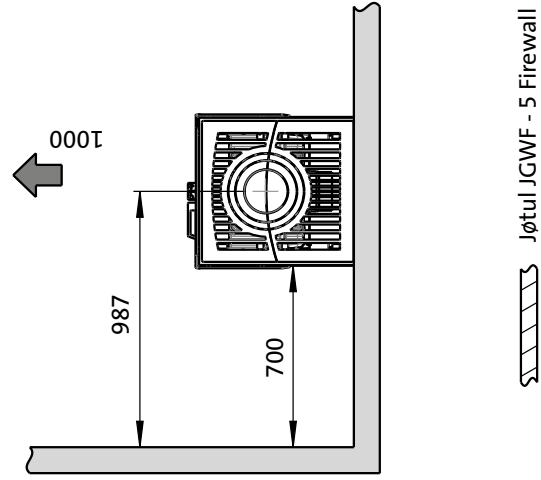
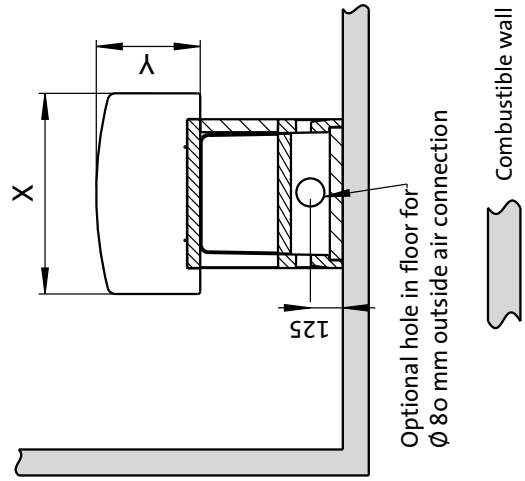
Jøtul FS 74

Fig. 1

Min. installation measurements



Floor plate measurements
X/Y Acc. to national standards and regulations



Jøtul JGWF - 5 Firewall
900161 - P00

ENGLISH

3.0 Safety

NB! To guarantee optimal performance and safety, Jøtul recommends that its stoves are fitted by a qualified installer (see www.jotul.com for a complete list of dealers).

Any modifications to the product by the distributor, installer or consumer may result in the product and safety features not functioning as intended. The same applies to the installation of accessories or optional extras not supplied by Jøtul. This may also be the case if parts that are essential to the functioning and safety of the fireplace have been disassembled or removed.

In all these cases, the manufacturer is not responsible or liable for the product and the right to make a complaint becomes null and void.

3.1 Fire Prevention Measures

There is a certain element of danger every time you use your fireplace. The following instructions must therefore be followed:

- The minimum safety distances when installing and using the fireplace are given in **fig. 1**.
- Ensure that furniture and other flammable materials are not too close to the fireplace. Flammable materials should not be placed within 1 metre of the fireplace.
- Allow the fire to burn out. Never extinguish the flames with water.
- The fireplace becomes hot when lit and may cause burns if touched.
- Only remove ash when the fireplace is cold. Ash can contain hot embers and should therefore be placed in a non-flammable container.
- Ash should be placed outdoors or be emptied in a place where it will not present a potential fire hazard.

In case of chimney fire:

- Close all hatches and vents.
- Keep the firebox door closed.
- Check the loft and cellar for smoke.
- Call the fire service.
- Before use after a fire an expert must check the fireplace and the chimney in order to ensure that it is fully functional.

3.2 Floor

Foundation

You must make sure that the foundation is suitable for the fireplace. See “**2.0 Technical Data**” for the specified weight. We recommend the removal of any flooring that is not attached to the foundation (“**floating floors**”) beneath the installation.

Requirements for protection of wooden flooring beneath the fireplace

The product has integrated floor protection and may therefore be placed directly on a wooden floor.

Requirements for protection of combustible floors in front of the fireplace

The front plate must comply with national laws and regulations. Contact your local building authorities regarding restrictions and installation requirements.

3.3 Walls

Distance to walls made of combustible materials - see **Fig. 1**.

The fireplace may be used with a semi-insulated flue pipe provided the distances between the fireplace and walls made of combustible materials are as shown in **Fig. 1**.

NB: Ensure that furniture and other combustible materials are not too close to the fireplace. Combustible materials must not be placed within 1,000 mm of the fireplace opening.

3.4 Ceiling

If the ceiling above the fireplace is made of a combustible material, the minimum distance between the fireplace and ceiling must be 650 mm, i.e. a minimum ceiling height of 2340 mm.

3.5 Air supply

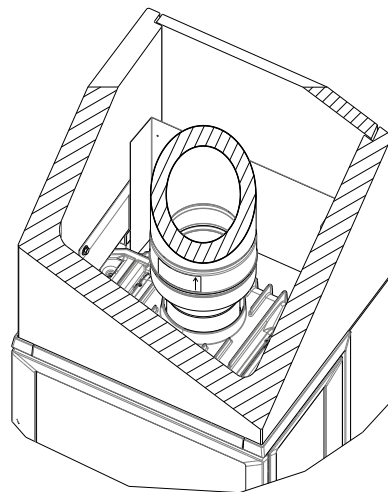
There must be a flow of air between the burn chamber and the surround. This is to ensure that any build-up of heat inside the surround is not too great. NB: It is extremely important not to cover air openings. See **Fig. 1** for distances.

The amount of combustion air for Jøtul's products is approximately 25-40 mD/h.

3.6 Steel chimney

If a top-mounted steel chimney is used, a semi-insulated chimney must be installed all the way down to the insert.

Fig. 2



Then fit the steel chimney in accordance with the manufacturer's instructions.

- The insert must be connected to a chimney and flue pipe approved for solid fuel fireplaces with a flue gas temperature of 305°C.

- The cross-section of the chimney must be at least that of the flue pipe. $\varnothing 150 \text{ mm}/177 \text{ cm}^2$ cross section.
- Several solid fuel products can be connected to the same chimney system if the chimney cross-section is adequate. Contact your local building authorities regarding restrictions and installation requirements.
- The chimney must be connected in accordance with the installation instructions of the chimney supplier.
- Make sure that the flue pipe rises all the way up to the chimney.
- Please note that it is extremely important for connections to have a degree of flexibility.
- **The recommended chimney draught is 16-18 Pa.**

4.0 Installation

NB: Before installing the fireplace, check it carefully for any signs of damage.

NB: The product is heavy! Ask someone to help you when positioning and installing it.

NB: Read the Installation and Operating Instructions for the Jøtul I 520 (Cat. no. 10044945) and Jøtul FS 74 (Cat. no. 10046791) carefully before installing the fireplace!

Use the acrylic sealant provided for all joints.

4.1 Prior to installation

The basic product comes in two packages:

1. Burn chamber.
2. Concrete units with mounting sections.

NB: Check the product for signs of damage when you unpack it.

Preparations

Before installation, it is necessary to decide:

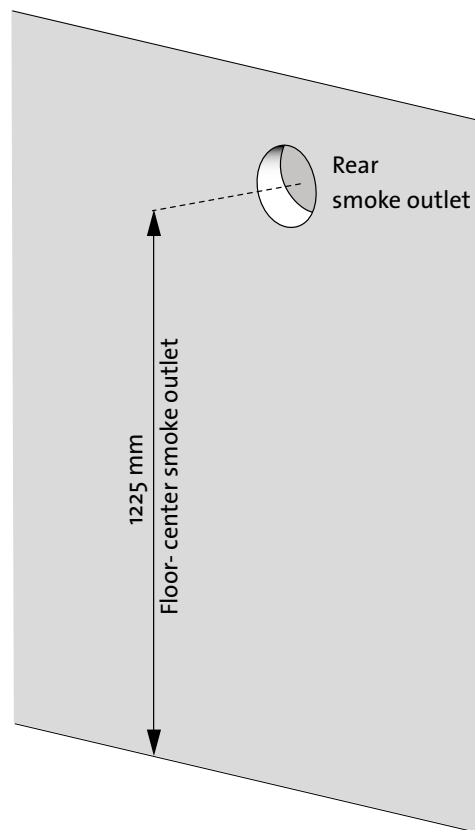
- Where the smoke outlet is to be located.
- Possible use and location of external air supply.
- Refer to manuals for installation of the parts.

Smoke outlet

Before starting installation work, decide whether a rear or top outlet will be used. The product is delivered from the factory with the smoke bell positioned for a top outlet.

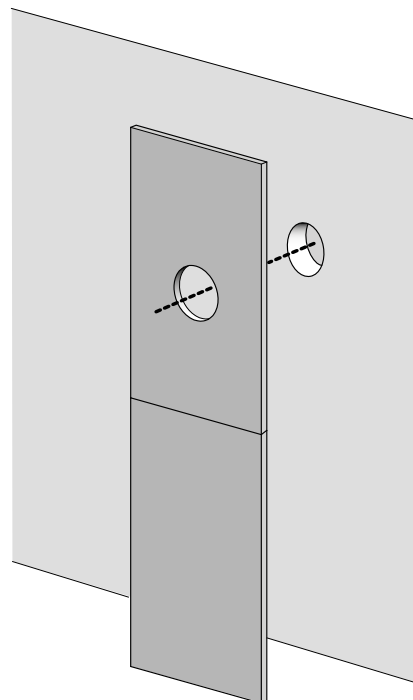
Preparation before installation

Fig. 5



1. **For a top outlet:** Make holes for outside air connection.
For a rear outlet: Make holes for outside air connection and rear outlet. Distance from floor to centre smoke outlet is 1225 mm.

Fig. 6



2. Fit the fireproof boards and make sure that the knockouts are centred in relation to the outside air connection and smoke outlet (rear outlet).

ENGLISH

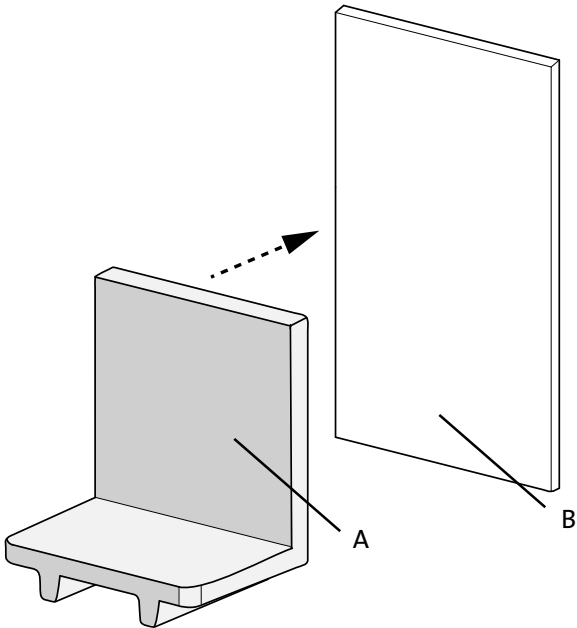
Outside air connection (optional)

If an outside air connection has been ordered, it should be installed at this point. See the instruction manual for the outside air connection (item no. 51046710)

4.2 Installation

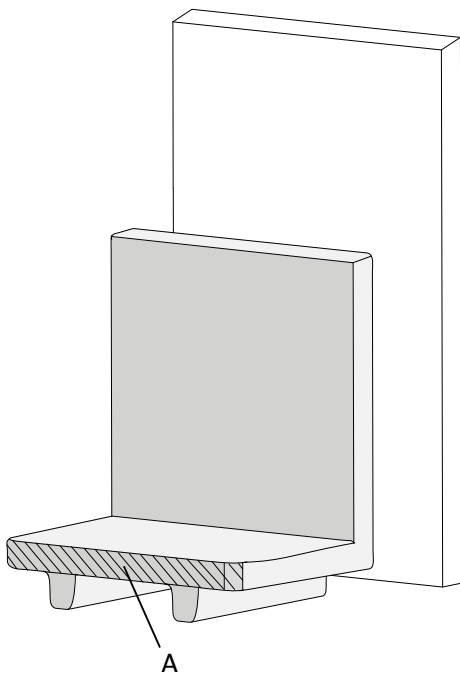
Log store and base

Fig. 7



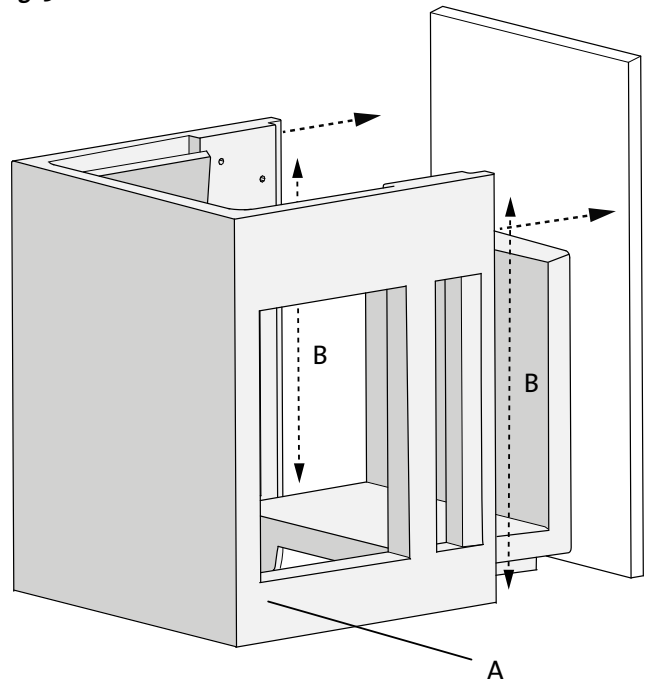
1. Centrally position the log store (A) approx. 120 mm in front of the fireproof board (B).

Fig. 8



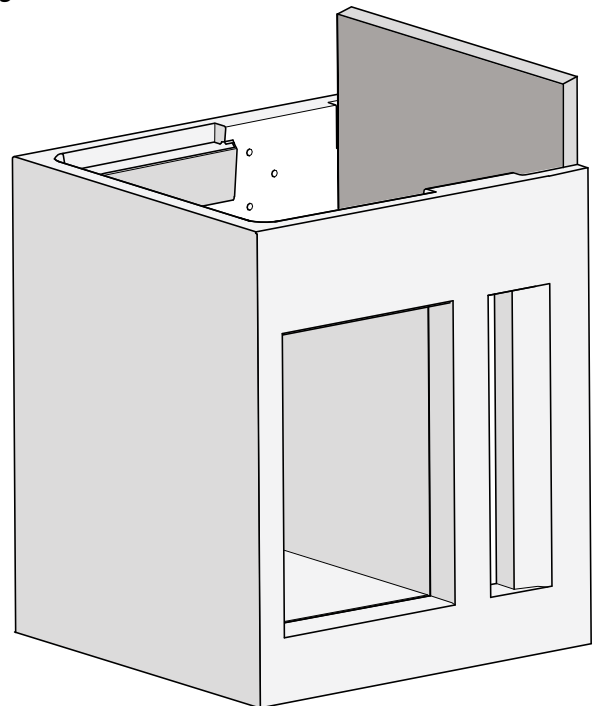
2. Apply acrylic adhesive along the front edge (A).

Fig. 9



3. Apply adhesive along the vertical edges (B) of the base (A). Push the base against the fireproof board.

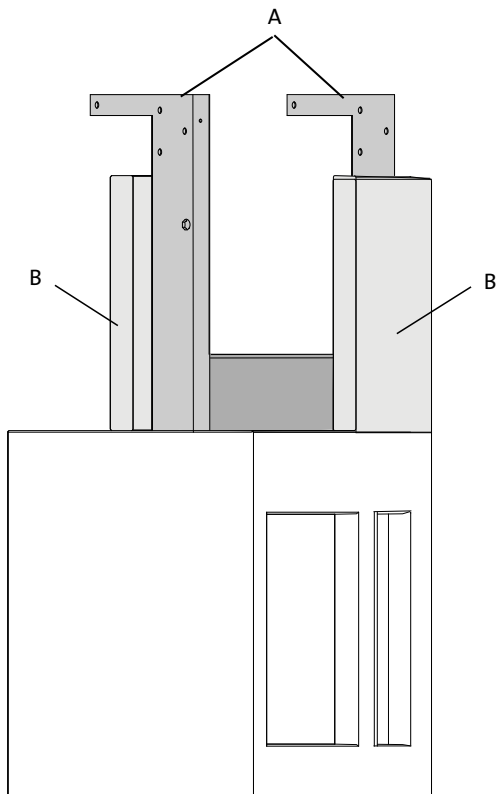
Fig. 10



4. Glue the log store and base together.

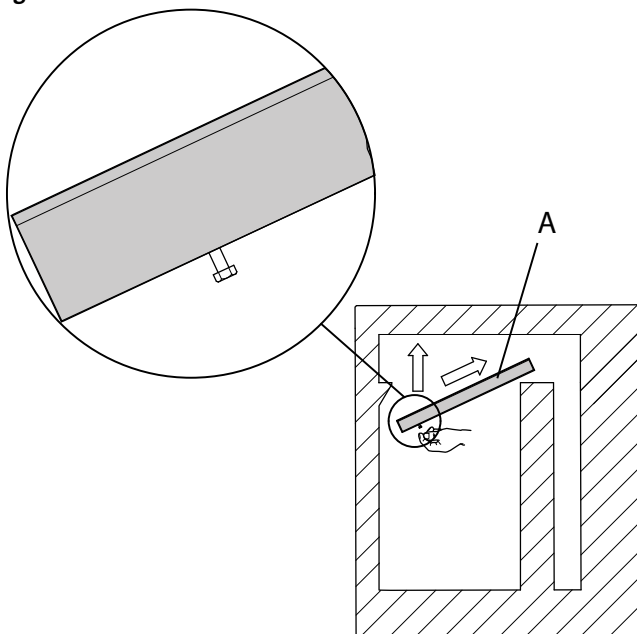
Preparing to install the burn chamber

Fig. 11



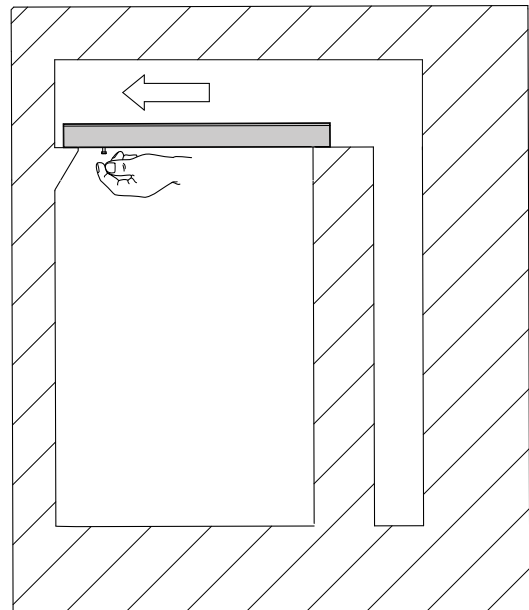
1. Lift up the steel sides (A) and secure them in place using the screws provided. Screw the fireproof board in place with 2 screws. **NB: Screws must not be used if the surround is to be installed against a combustible wall.** Position and secure the side panels (B) using the 4 bolts provided. **NB: Check that it is level.**

Fig. 12-a



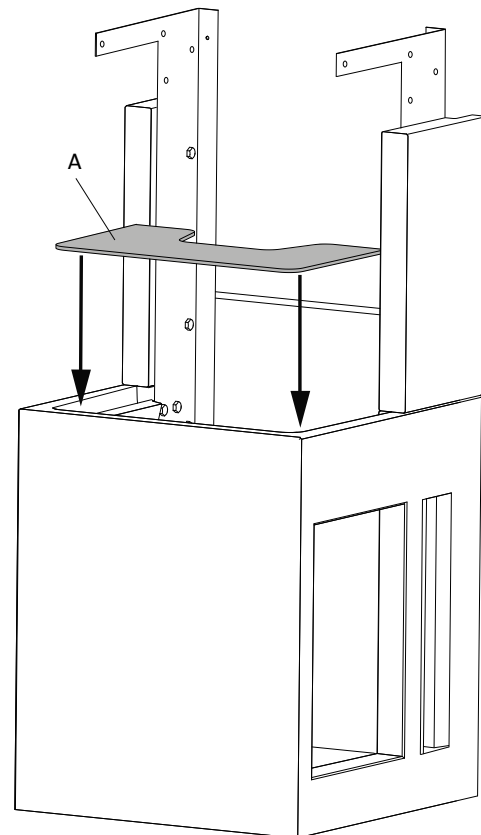
2. Fit the top plate (A) of the log store into place. It might be rather a tight fit. To make installation easier, put a screw into the plate and use this like a handle to pull the plate forward.

Fig. 12-b



1. Pull the top plate of the log store into place

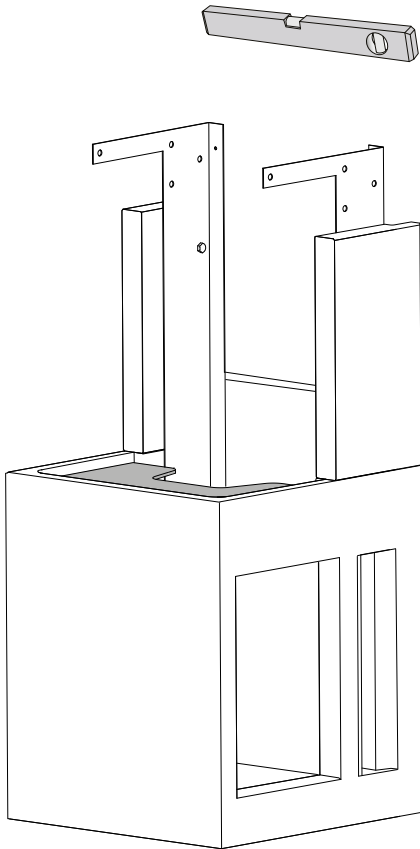
Fig. 13



2. Fit the bottom plate (A) to the burn chamber.

ENGLISH

Fig. 14

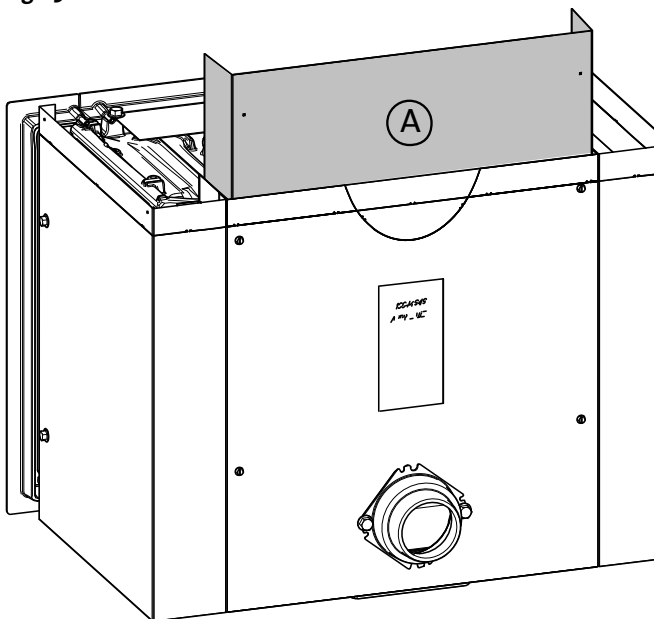


3. Check that everything is level.

Positioning the burn chamber

Read the section on preparing the burn chamber for installation in the Installation and Operating Instructions for the Jøtul I 520. **NB:** Read the instructions regarding pulling up or removing the inner heat shield (A).

Fig. 15



4. Move the air intake (B) connector beneath the burn chamber (See Fig. 4 in the manual for Jøtul I 520)

Fig. 16 - a

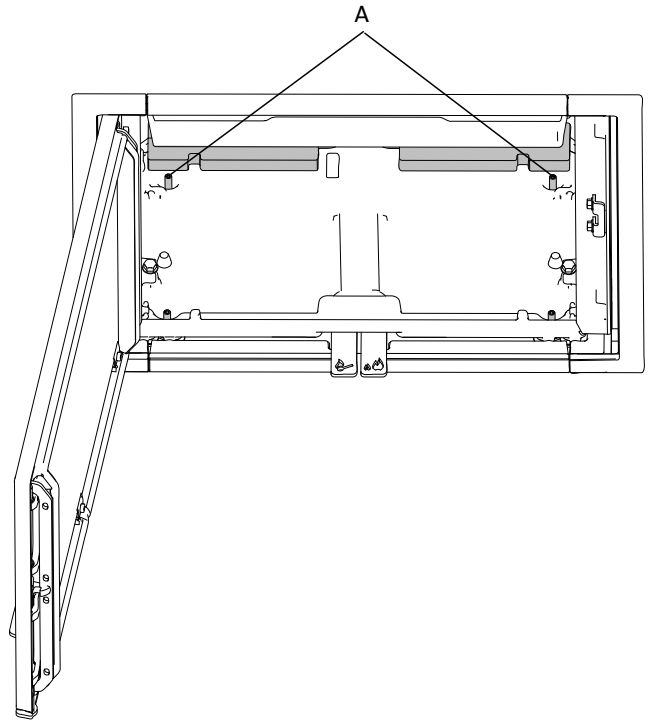
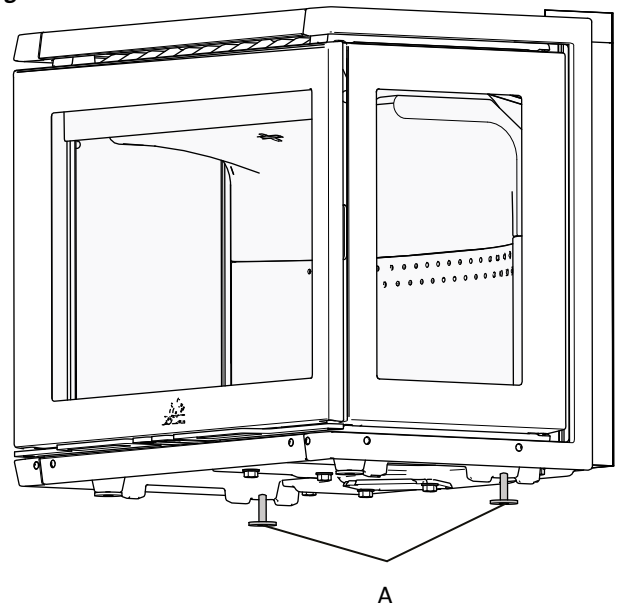
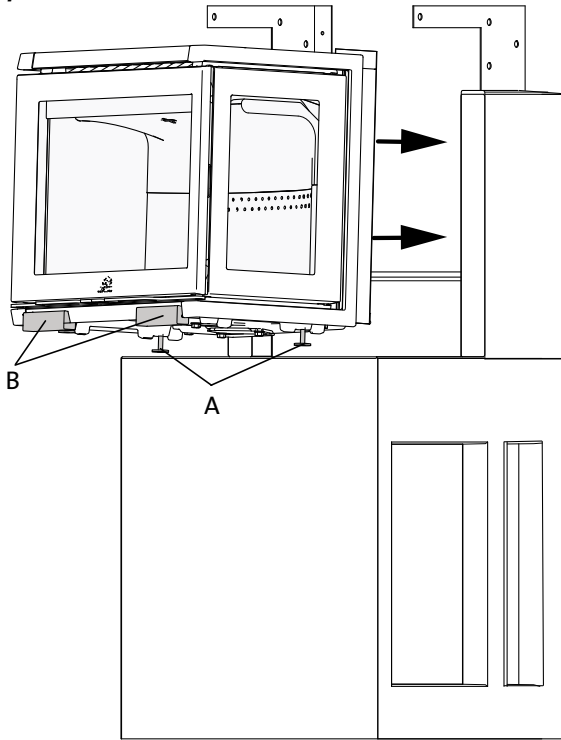


Fig. 16 - b



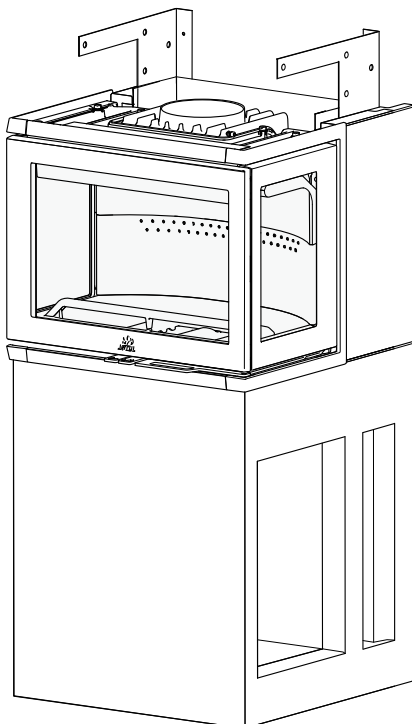
1. First remove the log retainer, air duct, inner bottom and then lift the insulation sheet up. (See Fig. 13, 22, 23, 24 and 25 in the manual for the Jøtul I 520).
2. Before placing the burn chamber in the surround, unscrew the two rear levelling screws (A) in the burn chamber to their maximum length.

Fig. 17



3. **NB: The product is heavy!** Ask someone to help you place it inside the surround.
4. Put the burn chamber's levelling screws (A) down on the plate. We recommend using the two foam rubber grips (B) to protect your hands. Push the burn chamber backwards until it is in place. Remove the grips (B), adjust your hold and carefully lower the front edge of the burn chamber. When the burn chamber is in its place, screw the levelling screws back again. Refit the insulation sheet.

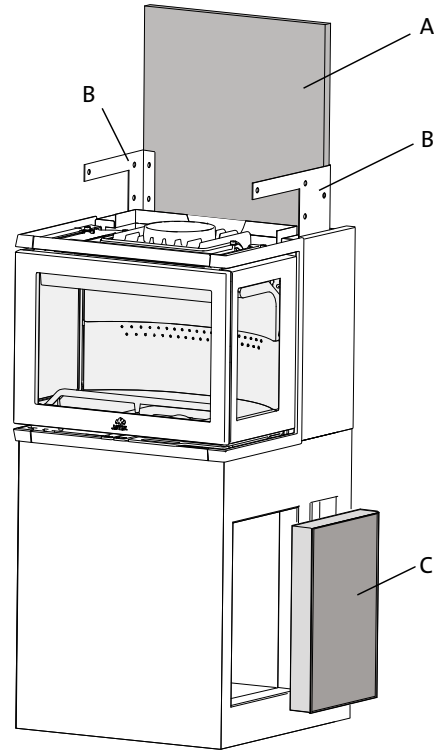
Fig. 18



5. Refit the inner bottom, air duct and log retainer.

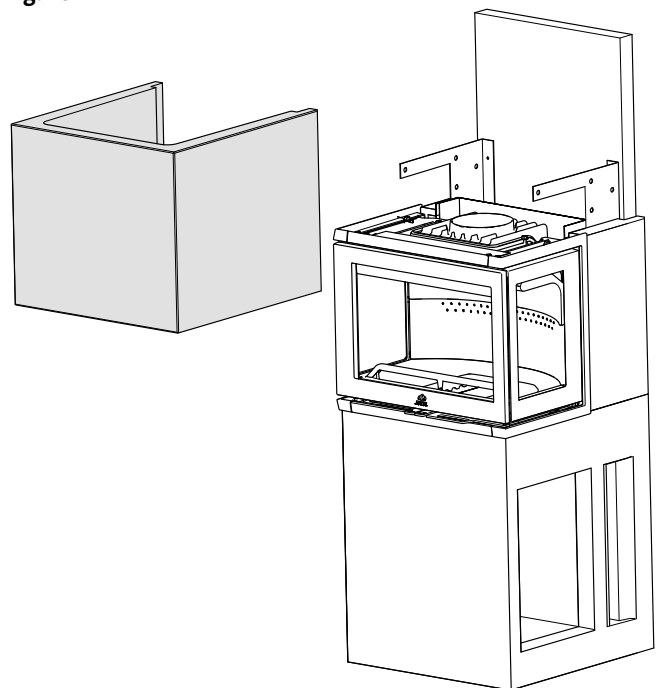
Final assembly

Fig. 19



1. Put the upper fireproof board into position and secure it to the steel sides using the screws provided. **NB: Screws must not be used if the surround is to be installed against a combustible wall.**
2. Then finish fitting the top outlet with the flue pipe or steel chimney (see the installation instructions for the steel chimney).

Fig. 20



3. Position the top section. Make sure it is flush with the side pieces and fireproof board.
4. Secure firmly on each side using the 4 bolts provided.

ENGLISH

Fig. 21

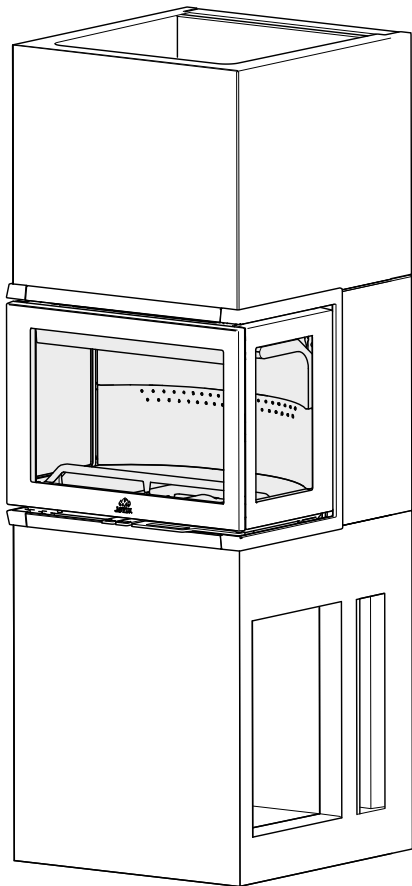


Fig. 24

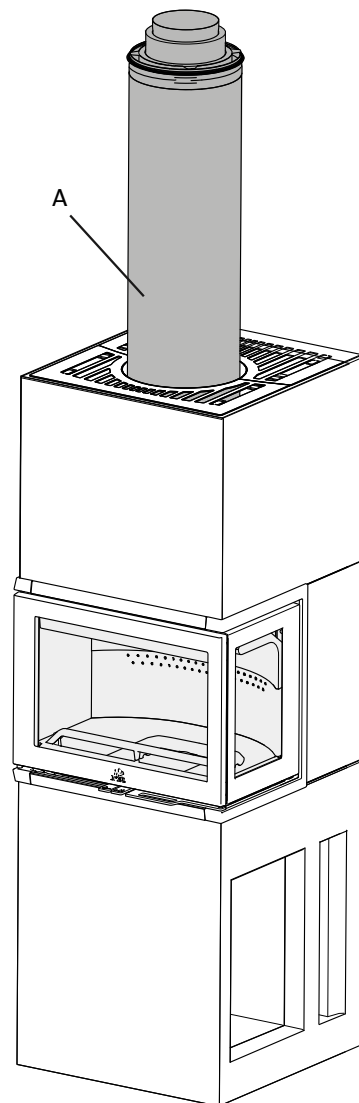
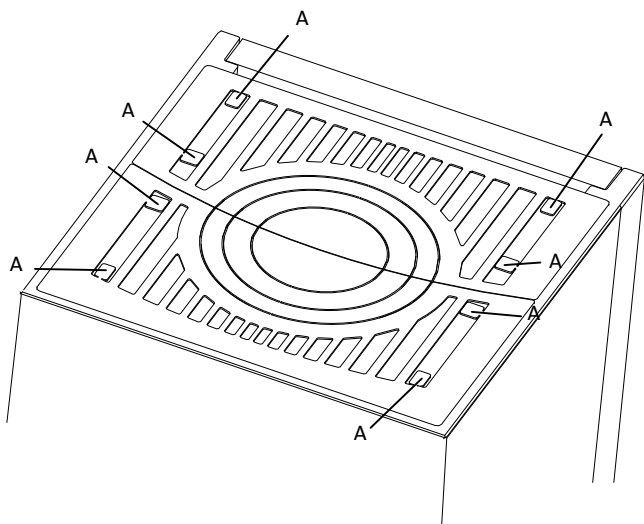


Fig. 23



5. For the top outlet, make a hole in the top grate for the flue pipe/steel chimney.
6. Put the top grate in place and bend down the tabs (A).

7. Position the flue pipe/chimney.

5.0 Installation completed

Refer to the "Installation manual with technical data" for the Jøtul I 520 (cat. no. 10044945) for use and maintenance of the product!

NB: The new surround may have some small visible scratches through the base coat. They are only superficial and do not impair the quality of the product. These scratches will be covered when the surround is being painted after the installation.

5.1 Painting

After installation, wait until the following day before painting. Use water-based paint. If you want to create some surface texture, mix some tile cement into the paint.

5.2 Minor damage

Once the insert has been installed, any nicks or irregularities in the concrete should be filled using the cement filler included in the kit.

- In order to achieve the best result the surround should be rubbed down with fine sandpaper, smoothing any unevenness or sharp edges prior to painting.
- Then apply one coat.
- Mix the powder (cement filler) with water to form a smooth paste (like toothpaste).
- Smooth away any unevenness, allow to dry and then rub down with fine sandpaper.
- If the hole is deep, we recommend applying the filler in two stages to prevent it sinking.
- Apply a second coat of the desired colour.

5.3 Cracks

In some instances, small cracks may appear at the joints after a few months' use due to settling of the building. These cracks can be easily repaired:

Open up the crack with a tool, e.g. a screwdriver, to create more room for the grouting cement.

First remove any dust using a vacuum cleaner. Then inject some acrylic grout, and smooth it off using a wet, soapy fingertip.

After 48 hours, the joint can be repainted.

6.0 Optional extras

Floor plate in front of the product

Cat. no. 51046302

Adapter for air supply

Cat. no. 51046710

Outside air connection

Cat. no. 21046789

7.0 Recycling

7.1 Recycling packaging

Your fireplace is delivered with the following packaging:

- A wooden pallet that can be cut up and burned in the fireplace.
- Cardboard packaging that should be taken to a local recycling facility.
- Plastic bags that should be taken to a local recycling facility.

7.2 Recycling the fireplace

The fireplace is made of:

- Metal that should be taken to a local recycling facility.
- Glass that should be disposed of as hazardous waste. The glass in the fireplace must not be placed in a regular source segregation container.
- Vermiculite burn plates that can be disposed of in regular waste containers.

8.0 Warranty

Jøtul AS provides its customers with a ten-year warranty with the right to return external cast-iron items if they show defects as a result of faulty materials and/or manufacturing after the initial purchase/installation of the fireplace. The buyer is entitled to return the goods provided that the fireplace has been installed in compliance with current laws and regulations and in compliance with Jøtul's installation and operating instructions.

The warranty does not cover:

The installation of optional extras, for example, to rectify local draught conditions, air supply or other circumstances beyond Jøtul's control. The warranty does not cover consumables, such as burn plates, smoke baffles, fire grates, bottom grates, brick refractories, dampers and gaskets as they deteriorate over time due to normal wear and tear. The warranty does not cover damage caused as a result of using unsuitable fuel when lighting the fire, such as driftwood, impregnated and painted wood, plank offcuts, chipboard, etc. Overheating may easily occur if unsuitable fuel is used, i.e. the fireplace becomes red hot, which causes the paint to discolour and the cast iron parts to crack.

The warranty is not valid for damage caused while the product is in transit from the distributor to the delivery address. The warranty is not valid either for damage caused by the use of non-original parts.

Sluttkontroll av ildsteder

Quality control of stoves and fireplaces

Checked

Utført	Kontrollpunkt	Controlled item
✓	Alle deler er med i produktet (ifølge struktur).	All parts are included.
✓	Alle festemidler er av korrekt type, og er korrekt anvendt.	Correct fastener items have been used and correctly applied.
✓	Overflater er i samsvar med Jøtuls kvalitetsstandarder.	Surfaces comply with Jøtul workmanship standards.
✓	Lukkemekanismer fungerer som de skal, og uten behov for unødig stor kraft.	Door locking mechanisms function correctly; excessive force is not needed.
✓	Produktet/serien møter kravet for lekkasjetest.	The product/lot complies with the leakage test requirement.
✓	Lakkerte/emaljerte overflater møter kravene i Jøtuls kvalitetsstandarder.	Paint/enamel surface finish complies with Jøtul workmanship standards.
✓	Produktet er fritt for utvendig kitt- eller limklin.	Surfaces are not contaminated by external stove cement or glue.
✓	Produktet har ingen sprekker i glass, støpejern eller andre deler.	There are no cracks in glass, cast iron or other parts.
✓	Pakninger er riktig lagt, og skjemmer ikke produktet ved stygge ender eller ved at pakningen er unødig synlig.	Gaskets are correctly applied and do not degrade product appearance (i.e. loose ends or excessive visible exposure).
✓	Dørpakninger er godt limt.	Door gaskets are firmly glued/fixed to the door.
✓	Dørpakninger har tilfredsstillende pakningstrykk.	Door gaskets provide satisfactory sealing.
✓	Sjekk at det ikke "lyser gjennom" i dørpakning eller andre sammenføyninger.	Check for "light through" at door seals and other relevant locations.
✓	Trekkhendler osv fungerer normalt.	The function of air valve handle etc is normal.

Jøtul bekrefter herved at dette produktet er kontrollert og funnet å være i samsvar med våre kvalitetsnormer.

Jøtul hereby confirm that this product has been QC inspected and found to comply with our quality standards.

Lot. No. / Serie nr. - Checked by / kontrollert av

Cat.no. 10046791-PO3
Jøtul AS, Jul. 2016

Jøtul arbeider kontinuerlig for om mulig å forbedre sine produkter, og vi forbeholder oss rett til å endre spesifikasjoner, farger og utstyr uten nærmere kunngjøring.

Jøtul arbetar kontinuerligt för om möjligt kunna förbättra sina produkter, och vi förbehåller oss rätten att ändra specifikationer , färger och tillbehör utan att meddela.

Jøtul pursue a policy of constant product development. Products supplied may therefore differ in specification, colour and type of accessories from those illustrated and described in the manual.

Kvalitet

Jøtul AS arbeider etter et kvalitetssikringssystem basert på NS-EN ISO 9001 for utvikling, produksjon og salg av ildsteder. Vår kvalitetspolitikk skal gi kundene den trygghet og kvalitetsopplevelse som Jøtul har stått for siden bedriftens historie startet i 1853.

Kvalitet

Jøtul arbetar efter ett kvalitetssäkringssystem baserat på NS-EN ISO 9001 för utveckling, produktion och försäljning av eldstäder. Vår kvalitetspolitik skall ge kunderna trygghet och kvalitetsupplevelse som Jøtul har stått för sedan företaget startade 1853.

Quality

Jøtul AS has a quality system that conforms to NS-EN ISO 9001 for product development, manufacturing, and distribution of stoves and fireplaces. This policy gives our customers quality and safety piece of mind as a result of Jøtul's vast experience dating back to when the company first started in 1853.

Jøtul AS,
P.O. box 1411
N-1602 Fredrikstad,
Norway

www.jotul.com

