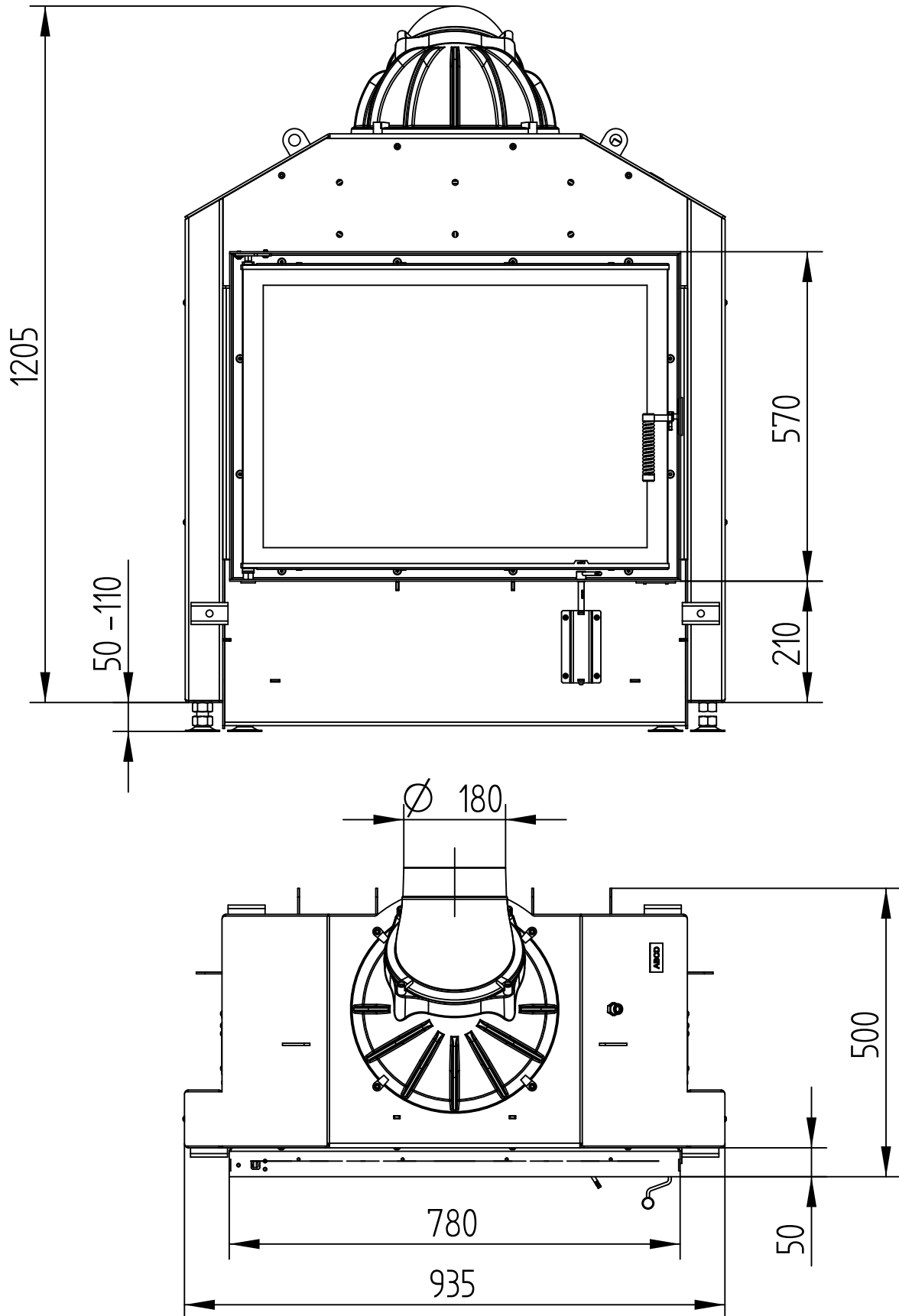


HAKA 78/57

WITH CUPOLA

Technical data
Version 07/2015

M 1 : 10

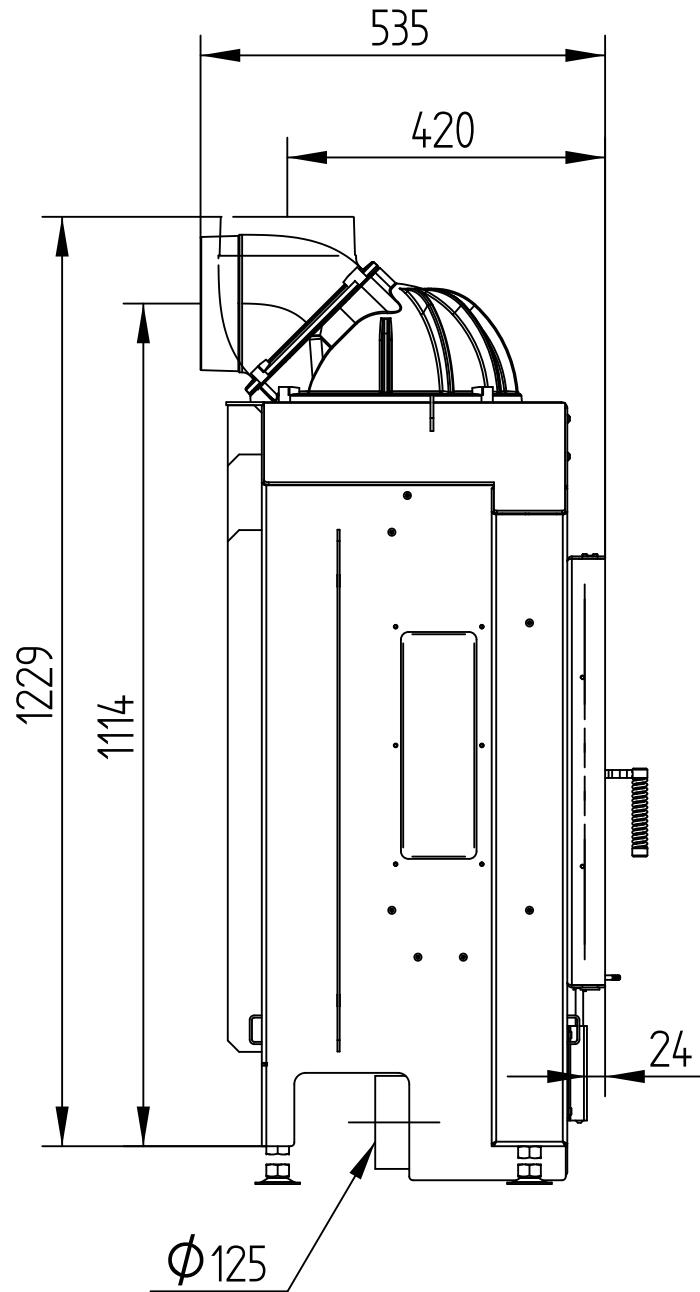


HAKA 78/57

WITH CUPOLA

Technical data
Version 07/2015

M 1 : 10

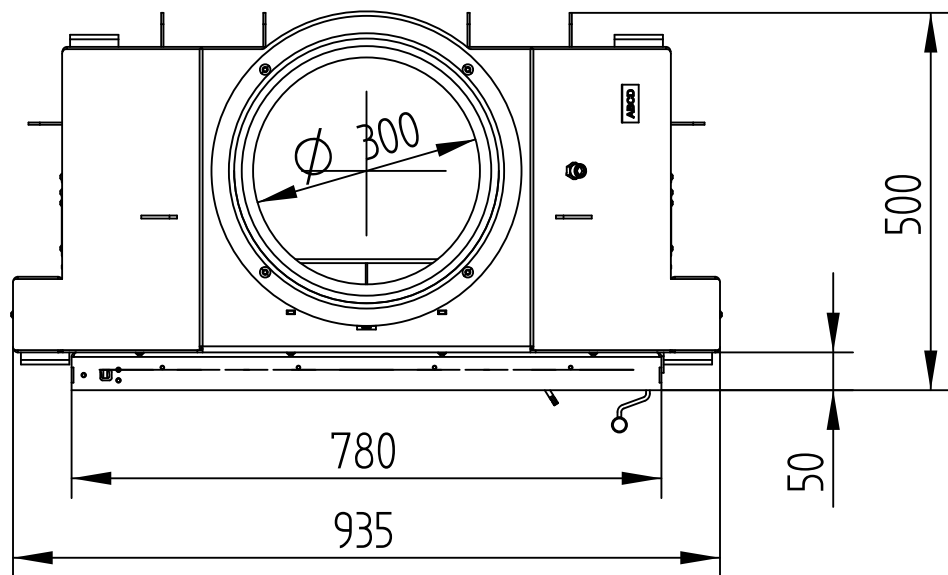
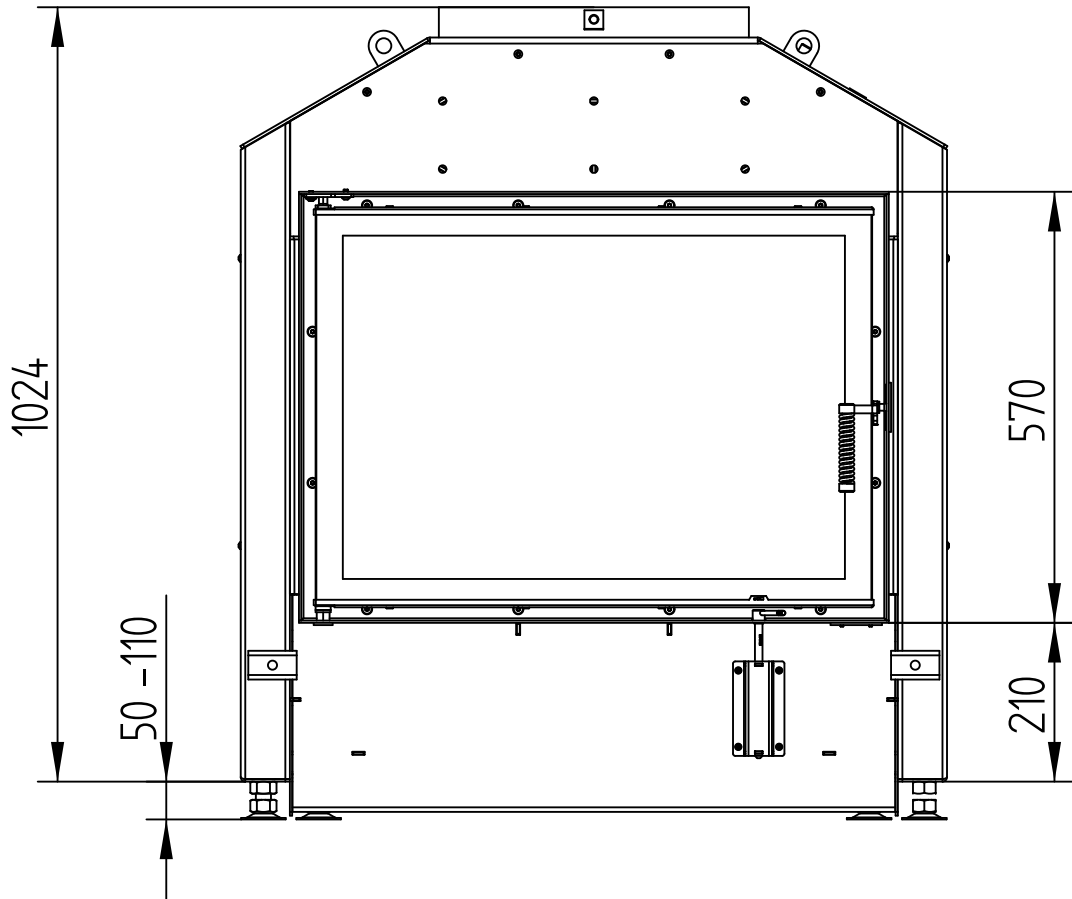


HAKA 78/57

WITH ADAPTOR

Technical data
Version 07/2015

M 1 : 10

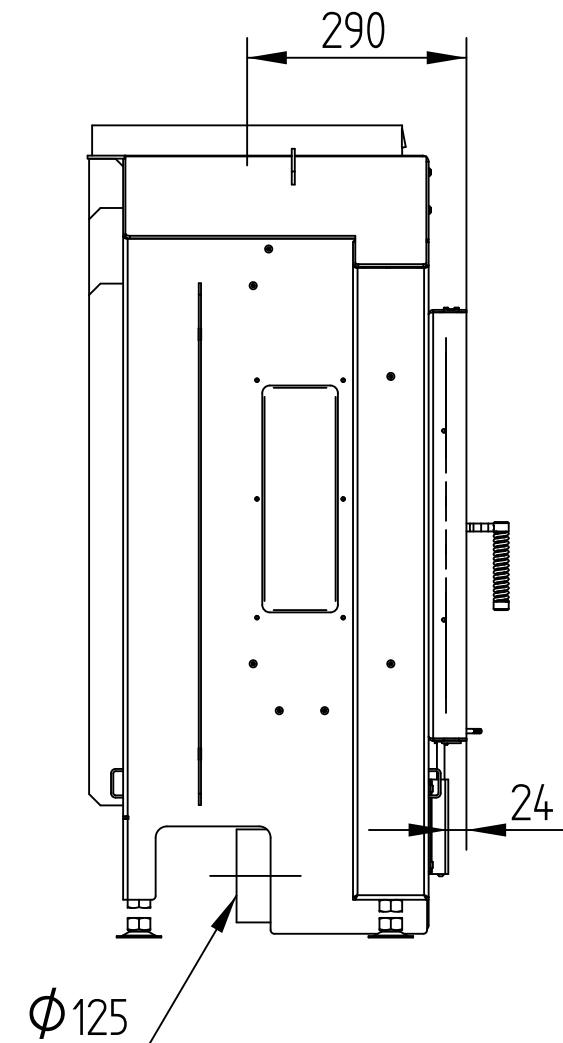


HAKA 78/57

WITH ADAPTOR

Technical data
Version 07/2015

M 1 : 10

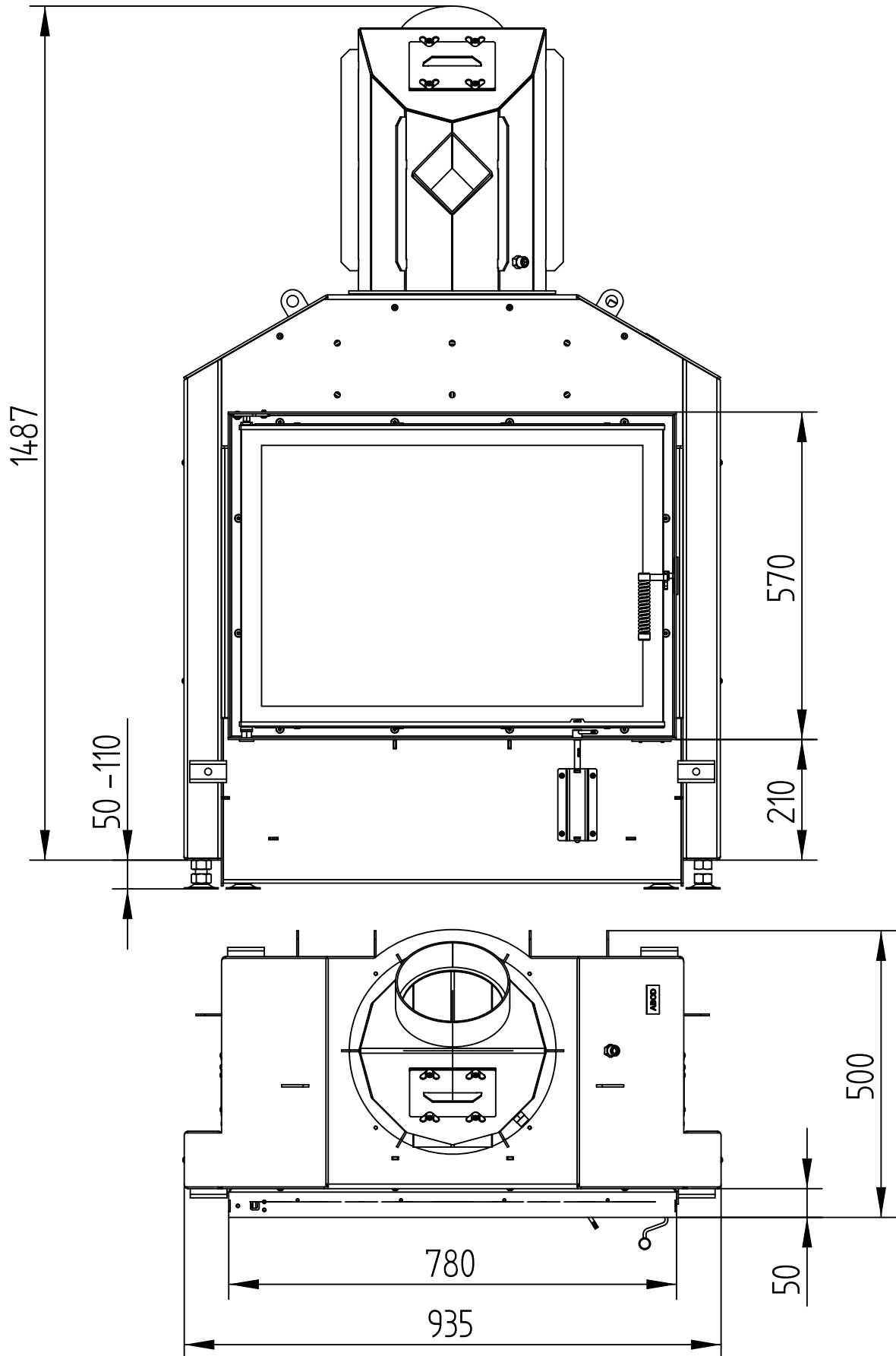


HAKA 78/57

WITH HOT AIR EXCHANGER

Technical data
Version 07/2015

M 1 : 10

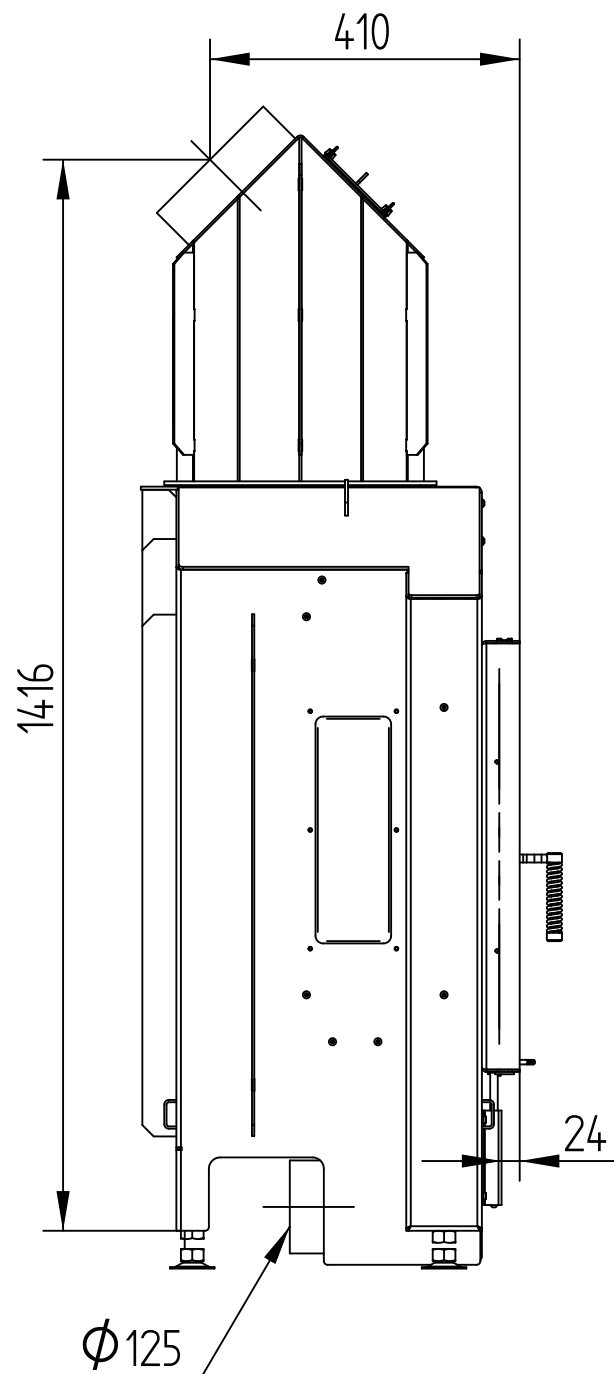


HAKA 78/57

WITH HOT AIR EXCHANGER

Technical data
Version 07/2015

M 1 : 10

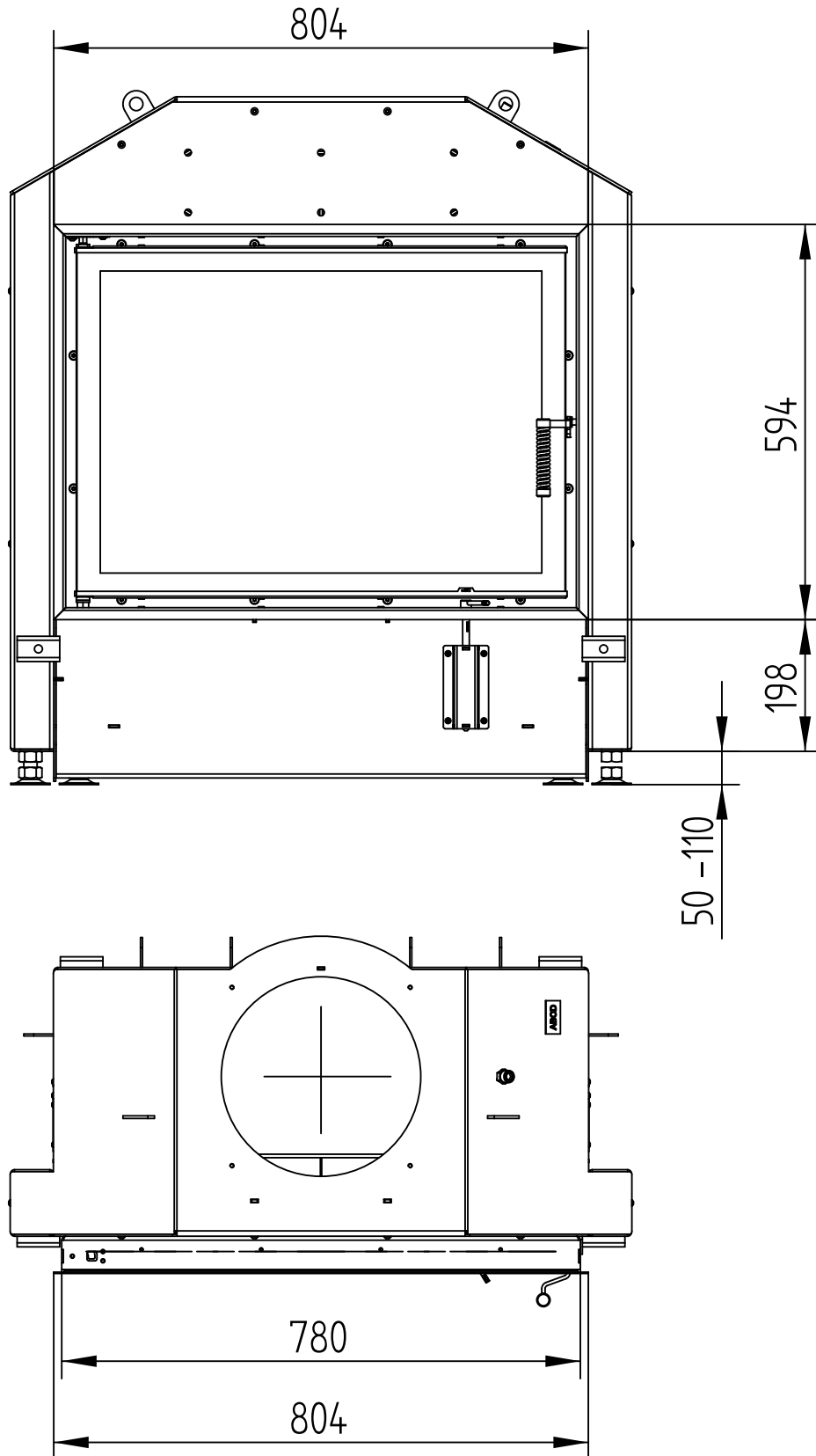


HAKA 78/57

Technical data
Version 07/2015

COVER FRAME 4-SIDED 1 x 90°, 50 mm

M 1 : 10

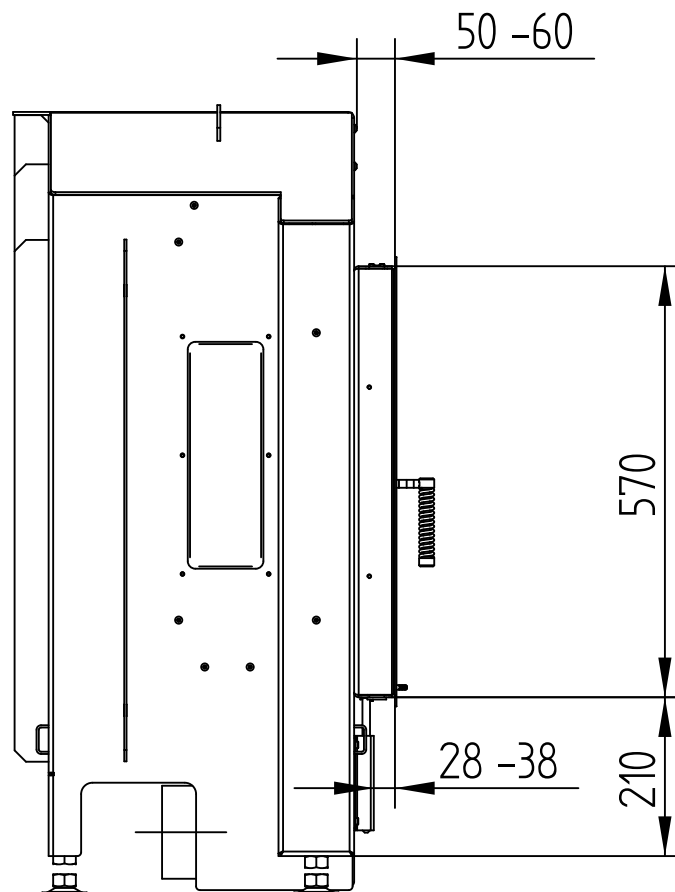


HAKA 78/57

COVER FRAME 4-SIDED 1 x 90°, 50 mm

Technical data
Version 07/2015

M 1 : 10

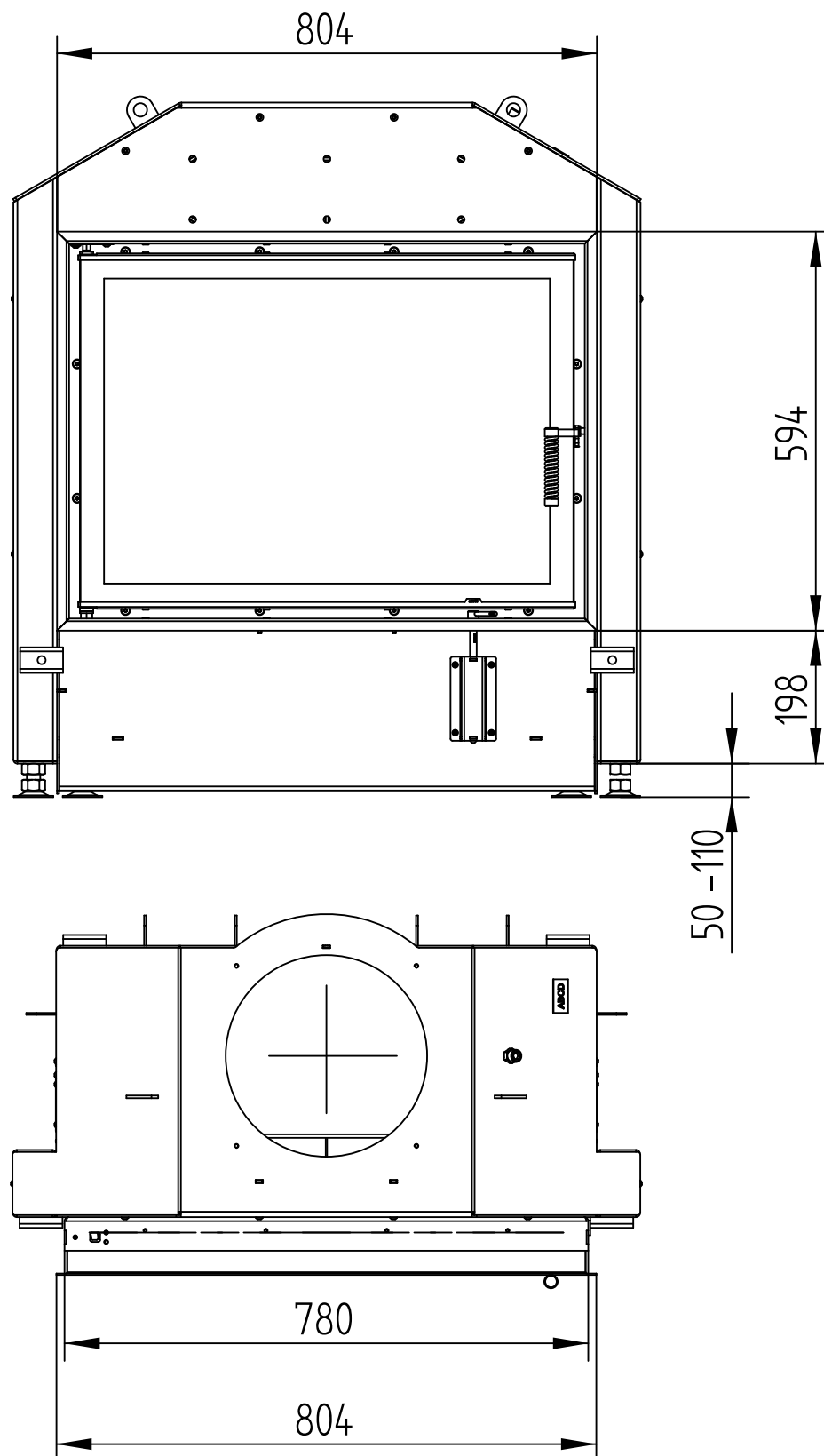


HAKA 78/57

Technical data
Version 07/2015

COVER FRAME 4-SIDED 1 x 90°, 80 mm

M 1 : 10

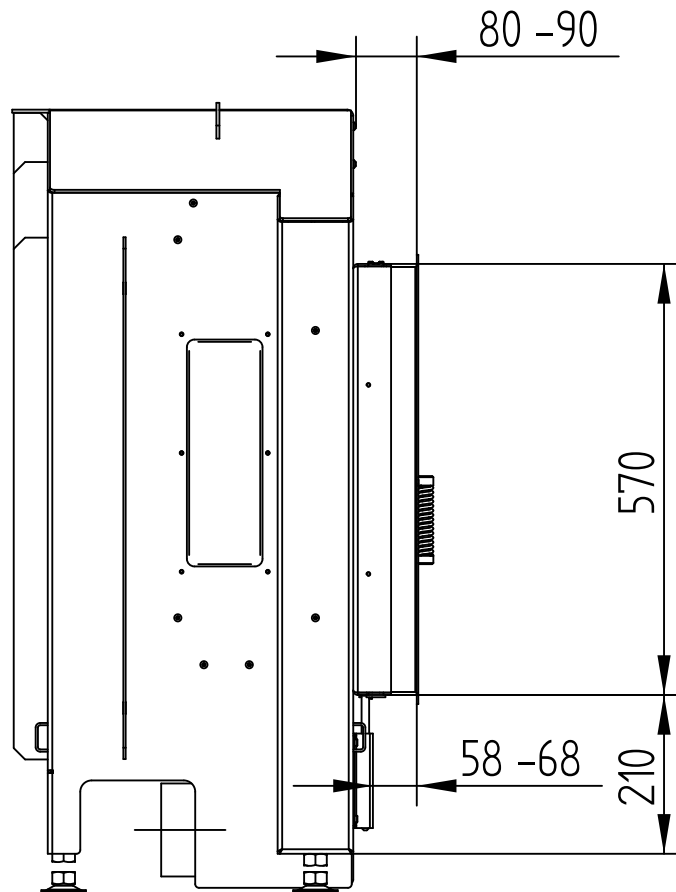


HAKA 78/57

COVER FRAME 4-SIDED 1 x 90°, 80 mm

Technical data
Version 07/2015

M 1 : 10



HAKA 78/57

BUILD-ON FRAME 4-SIDED, 80 mm

Technical data
Version 07/2015

M 1 : 10

